

ERTP

Embedded Round Top Mount Pole

MODEL NO.	TYPE	PROJECT/DATE
-----------	------	--------------

FEATURES:

Pole Top: Our poles come with a built in 2^{3/8"} tenon allowing quick and easy installation of any of our Post Top Fixtures.

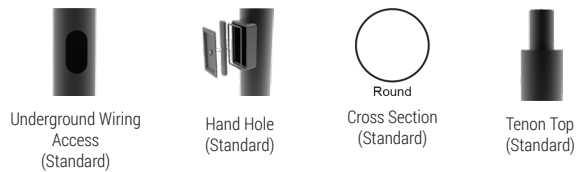
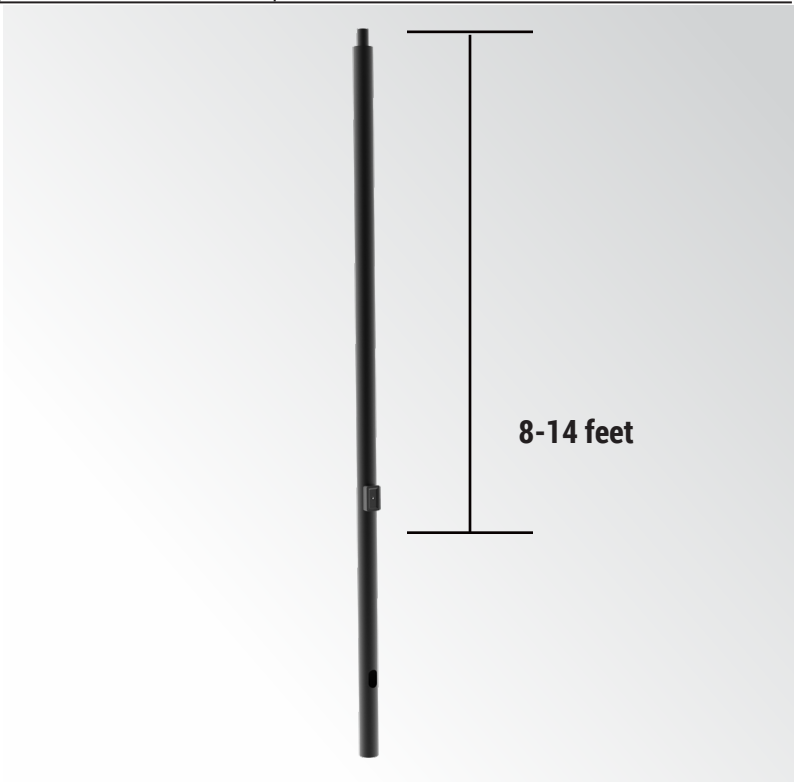
Finish: Our poles standard finish is Finish Painted over Galvanizing (FPGV). Black is standard but custom colors are available, please contact your sales rep.

Hand Hole: A reinforced hand hole with grounding provision is provided at 1'-0" from the base end of the pole assembly. Each hand hole includes an easy to install, self-contained Swing Latch hand hole cover assembly. U.S. Patent Swing Latch cover is fabricated from durable polycarbonate/ABS blend plastic. All pole assemblies are provided with a 3.15" x 5.50" rectangular hand hole. Hand hole dimensions are nominal.

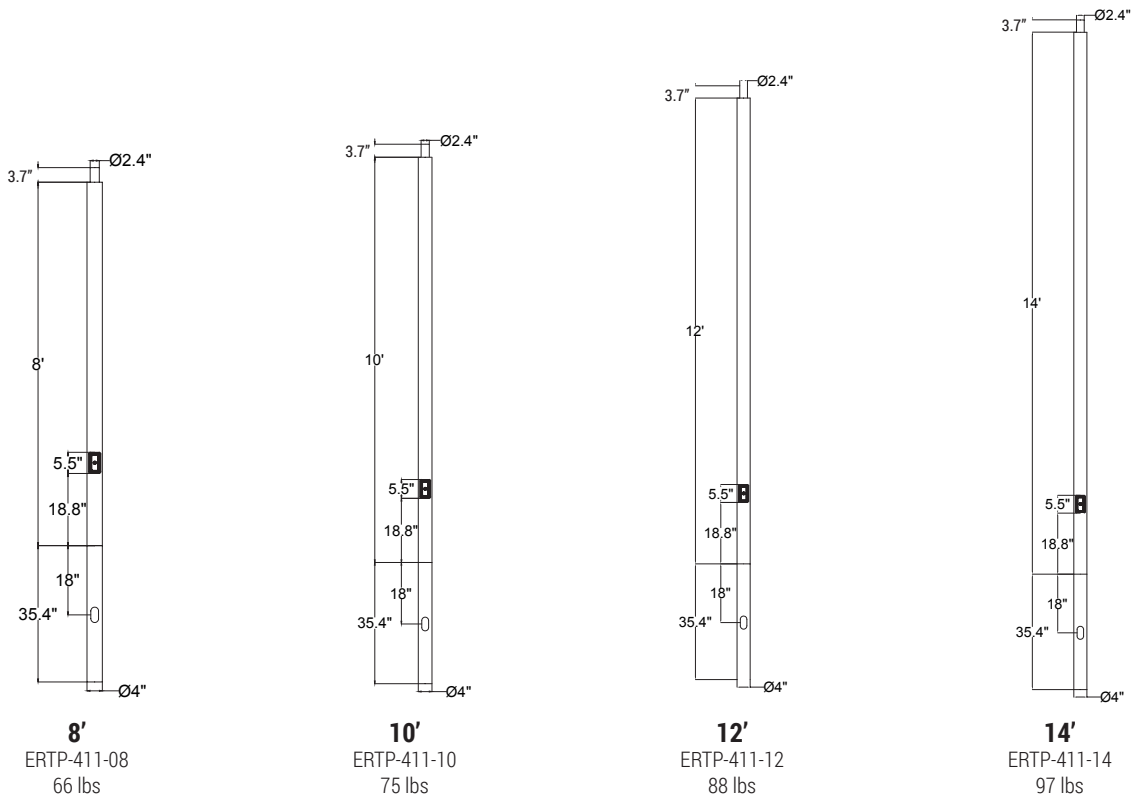
Pole Construction: The pole shaft is fabricated from hot rolled welded steel tubing of one-piece construction with a minimum yield strength of 42 KSI.

Hardware: All structural fasteners are galvanized high strength carbon steel. All non-structural fasteners are galvanized or zinc-plated carbon steel or stainless steel.

Underground Wiring Access: A 2.0"x4.0" diameter hole is provided at 2'-6" below the ground line.



DIMENSIONS



MODEL NO.	TYPE	PROJECT/DATE
-----------	------	--------------

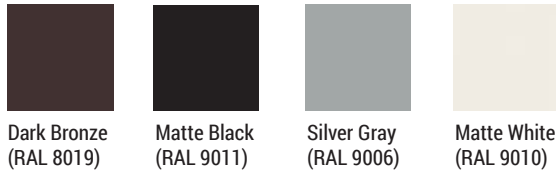
ORDERING INFORMATION

*Additional cost and/or lead time on customized fixtures may apply.



Series	Shaft Size/Gauge	Height	Finish
ERTP - (Embedded Round Top Mount Pole)	411 - (4"Ø, 11)	8 - (8 FT) 10 - (10FT) 12 - (12FT) 14 - (14FT)	DB - (Bronze) BK - (Black) SG - (Silver Gray) WH - (Matte White) *Custom

FINISH REFERENCE



WIND LOADING AND DIMENSIONAL DATA

Catalog #	Mt. Height	80 MPH	90 MPH	100 MPH	110 MPH	120 MPH	130 MPH	140 MPH	O.D.	POLE GAUGE	OVERALL LENGTH	EMBEDDED DEPTH	WALL THCK
ERTP-411-08	8'	21.0	16.0	12.0	10.0	8.4	7.0	5.6	4"	11	11'	3'	0.12"
ERTP-411-10	10'	17.5	13.4	10.7	8.6	7.0	5.9	4.7	4"	11	13'	3'	0.12"
ERTP-411-12	12'	14.0	10.7	8.3	6.7	5.3	4.5	3.4	4"	11	15'	3"	0.12"
ERTP-411-14	14'	11.5	8.7	6.7	5.2	4.0	3.4	2.4	4"	11	18'	4'	0.12"

- Notes:
1. Maximum EPA (Effective Projected Area) and weight values are based on AASHTO 2013 (90-150MPH) and AASHTO 2008 (80MPH)
 2. Consult factory on loading criteria for pole top mounted luminaires and/or brackets
 3. Variations from sizes above are available upon inquiry at the factory
 4. Satisfactory performance of poles is dependednt upon the pole being properly attached to a supporting foundation of adequate design
 5. Structure weight is a nominal value which includes the pole shaft and base plate only