

# EDGE

## Vertical-lit Troffer

MODEL NO.	TYPE	PROJECT/DATE
-----------	------	--------------

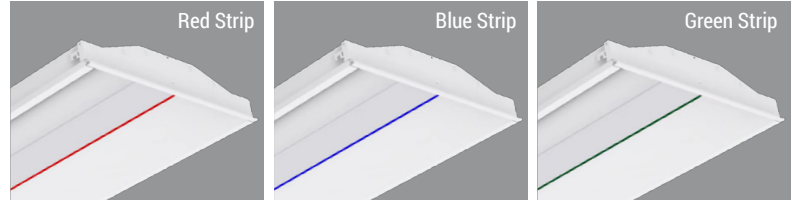
### KEY FEATURES

- Vertical lit provides direct/indirection low-glare visual comforting illumination
- Shallow yet rigid housing with standard CCT changeable option
- Circadian tunable white controls by wireless lighting control option available
- Decorative color strip option available to add visual character
- Antimicrobial finish option available for healthcare application

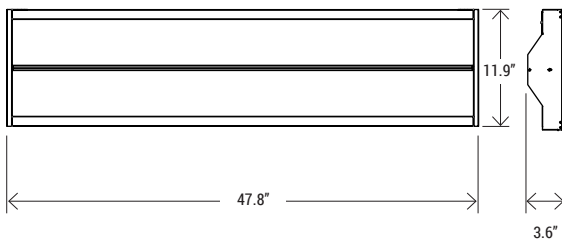
### TECHNICAL SUMMARY

SIZE:	1'x4', 2'x2', 2'x4'
WATTAGE:	20W/30W/40W, 40W/50W/60W (Available in 2x4)
LUMEN/EFFICACY	Up to 6500LM* / up to 125LM/W
INPUT VOLTAGE	120-277Vac / 120-347Vac*
AVAILABLE CCT/CRI	35/40K changeable/ 2700K-5000 tunable white* / CRI >80, CRI >90*
CONTROL	0-10V 1%*, Bi-level occupancy & daylight sensor*, Lutron Athena Wireless control*
VALIDATIONS	ETL & cETL damp location listed, IC rated, FCC compliant, RoHS compliant, DLC 5.1 listed
LIFETIME	L70>80,000 hours, 5 year warranty
OPERATION TEMP.	-5°F ~ 104°F (AC) / 34°F ~ 104°F (with EM)
FINISH	Matte White, Antimicrobial White finish*

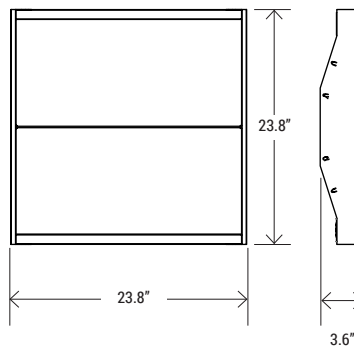
\*Delivered lumen may vary, refer to photometric for full performance data



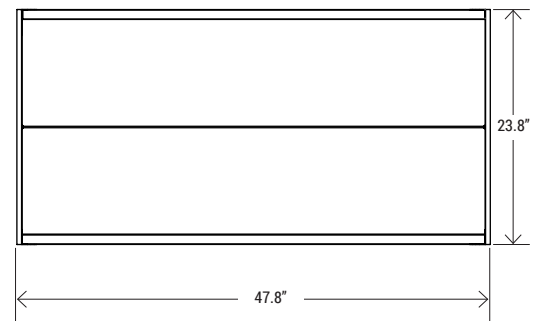
### DIMENSIONS



**ED14**  
8 lbs



**ED22**  
8 lbs

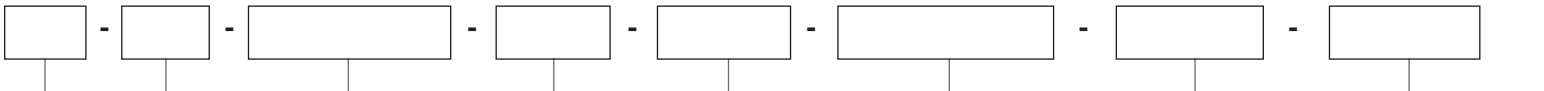


**ED24**  
16 lbs

MODEL NO.	TYPE	PROJECT/DATE
-----------	------	--------------

### ORDERING INFORMATION

\*Additional cost and/or lead time on customized fixtures may apply.



Series	Size	Lumen Package	Input Voltage	CCT	Control	EM Option	Misc Option
ED	14 - (1'x4')	43LC (4300/3400/2400LM)	U - (120-277Vac) C - (120-347Vac)*	CC - (35/40K Color Changeable) 35K - (35K) 40K - (40K) TW - (27K - 40K CCT Tunable, A3 Only)**	C11 - (0-10V 1% Dimming) CA1 - (0-10V with Athena Wireless Node)* CA2 - (0-10V with Athena Wireless Bi-Level Occupancy & Daylight Sensor)* CMP - (0-10V Bi-Level PIR Occupancy Sensor)* A1 - (Athena Wireless Dimming w/D4I Driver)* A2 - (Athena with Bi-Level Occupancy & Daylight Sensor w/D4I Driver)* A3 - (Athena Tunable White w/D4I Driver)*	EM1 - (8W Factory Installed Integrated EM) *	AM - (Antimicrobial Finish)* RD - (Red Vertical Lit Decorative Strip)* BD - (Blue Vertical Lit Decorative Strip)* GD - (Green Vertical Lit Decorative Strip)*
	22 - (2'x2')	40LC (4000/3000/2000LM) *55LC (5500/4400/3300LM)  *Only available in single CCT					
	24 - (2'x4')	46LC (4600/3800/2700LM) 60LC (6500/5500/4500LM)					

### \*AVAILABLE ACCESSORIES: (SOLD SEPARATELY)



**BP-RMK-2x2/BP-RMK-2x4**  
Recessed dry wall flange mount kit



**TT-CMKW-2x2/TT-CMKW-2x4**  
Surface mount kit

### \*\*Accessories

- CMP** - Bi-level PIR occupancy & daylight harvesting sensor
- RC-100** - Remote programmer for CMP
- BP-RMK-2x2/BP-RMK-2x4** - Recessed dry wall flange mount kit
- TT-CMKW-2x2/TT-CMKW-2x4** - Surface mount kit
- MCF-185-8F** - Metal-clad flex whip, 18-gauge, 5 conductors Black/White/Green/Pink/Violet
- MCF-186-8F** - Metal-clad flex whip, 18-gauge, 6 conductors Black(Switch hot)/Black(24/7 hot)/White/Green/Pink/Violet

\*Available accessories sold separately

\*\*Lutron Athena A3 option is only available for 1'x4' 4300LM, 2'x2 4000LM and 2'x4' 4600LM

\*Lutron Athena wireless processor or Clear Connect gateway – Type X is required to operate an Athena wireless node in an Athena control system via a simple setup process using an iOS® or Android® compatible app. Refer to Lutron Athena spec for details.

\*Lutron Athena wireless control is up to 100 Clear Connect – Type X devices per processor. Refer to Lutron Athena spec for details.

## SPECIFICATIONS

### CONSTRUCTION

Shallow 3.63" rugged cold-rolled steel frame finished with polyester coating after fabrication with embossed facets. Injection laser-cut acrylic light guide panel with excellent low glare transparent and direct/indirect distribution.

### FINISH

Polyester coated finish in powder coating after fabrication with embossed facets, Antimicrobial finish option available.

### OPTICS/DIFFUSER

Injection molded vertical anidolic PMMA light guide panel provides wide and visual comfortable illumination. Decorative colored strip option available

### ELECTRICAL

Long-life LEDs standard 3500K and 4000K field selectable, 120-277Vac driver with adjustable output lumen and standard 0-10V to 1% dimming, Lutron Athena wireless.

### MOUNTING

Drop ceiling lay-in, Dry wall ceiling recess via flange kit.

### VALIDATIONS





ETL & cETL damp location listed, IC rated, FCC compliant, RoHS, DLC 5.1 listed  
(Not all product variations listed on this page are DLC qualified. Visit <https://www.designlights.org/qpl> to confirm qualification.)

MODEL NO.	TYPE	PROJECT/DATE
-----------	------	--------------



### Athena

An uncompromising solution. The Athena lighting control system empowers architects, lighting designers, electrical engineers, and facility managers with a native network of lighting, lighting controls, shades, and cloud-connected software that deliver exceptional experiences and building management.

	<p><b>A-WN-D01-RF-WH</b> Plenum rated and can be installed above the ceiling for wireless control of a fixture without any impact on fixture aesthetics.</p>
	<p><b>A-WN-D01-RF-BK</b> Plenum rated and can be installed above the ceiling for wireless control of a fixture without any impact on fixture aesthetics.</p>
	<p><b>A-WN-D01-OCC-WH</b> Provides wireless control of the fixture and includes a passive infrared (PIR) sensor for occupancy and a daylight sensor.</p>
	<p><b>A-WN-D01-OCC-BK</b> Provides wireless control of the fixture and includes a passive infrared (PIR) sensor for occupancy and a daylight sensor.</p>



DLC Listed  
Visit <https://www.designlights.org/qpl> to confirm qualification.)

SPITZER MODEL NUMBER	DLC PRODUCT ID
ED14-43LC-U-CC-C1	S-3MGKQ1
ED22-40LC-U-CC-C1	S-WDSPLX
ED24-46LC-U-CC-C1	S-TR2J3M