

# DEFENDER

## Round Vandal Resistant Luminaire

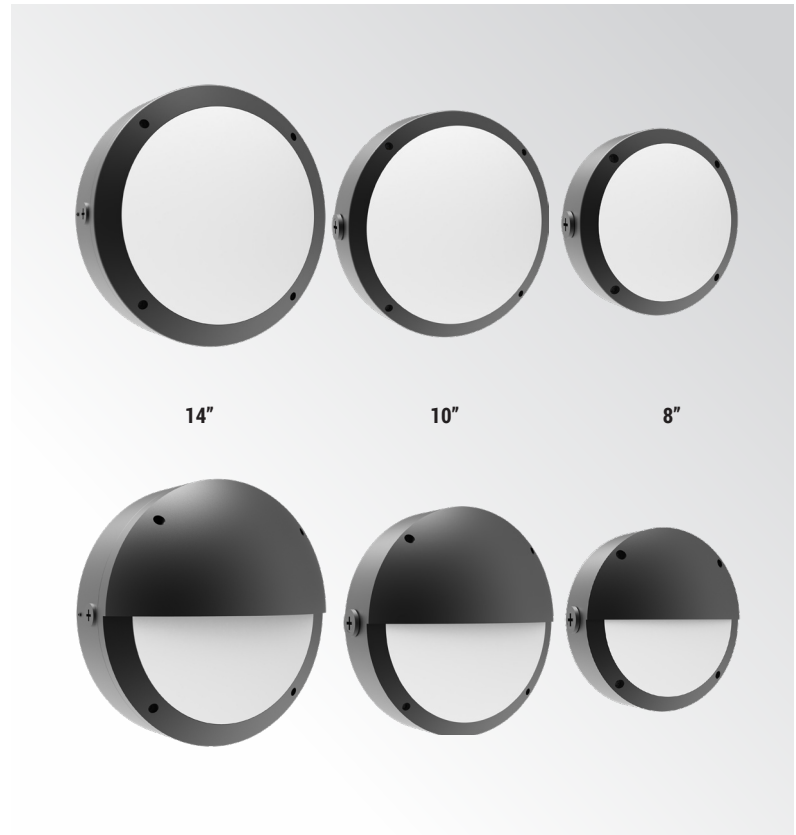
MODEL NO.	TYPE	PROJECT/DATE
-----------	------	--------------

### KEY FEATURES

- Cast aluminum housing with impact proof PC lens and Torx screw
- Factory installed integrated emergency driver with waterproof test switch
- Field changeable or factory pre-set CCT

### TECHNICAL SUMMARY

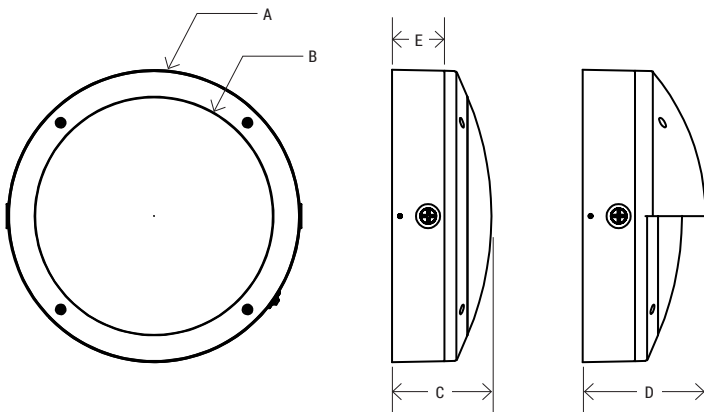
SIZE:	8", 10", 14"
WATTAGE:	15W, 25W, 30W
LUMEN/EFFICACY	1200LM, 2500LM, 3500LM / 115LM/W (w/ visor; 600lm, 1200lm, 1700lm)
INPUT VOLTAGE	120-277Vac
AVAILABLE CCT/CRI	30/40/50K CCT changeable / 70+ CRI
CONTROL	0-10V dimmable, Wall mount photocell option
VALIDATIONS	ETL & cETL wet location listed, DLC Standard, IP65/IK10 rated, 8" and 10" is ADA compliant, FCC, RoHS
LIFETIME	L70 > 70000 Hours, 5 year warranty
OPERATION TEMP.	-40°F - 131°F / 32°F-122°F (with EM)
FINISH	Standard: Matte White, Matte Black, Dark Bronze, Silver Gray Premium: Pine Green, Corten Brown



\*Delivered lumen may vary, refer to photometric for full performance data



### DIMENSIONS



with Visor

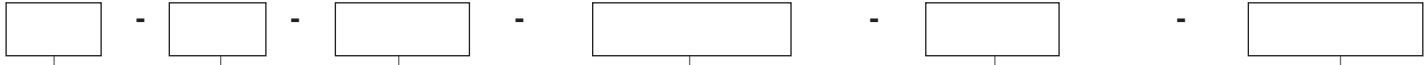
Model No.	A	B	C	D	E	WEIGHT
DF-08	8.8"	7.2"	2.8"	3.2"	1.6"	3.5 lbs 4.7 lbs (w/ visor)
DF-10	10.87"	9.2"	3"	3.35"	1.4"	5 lbs 6.4 lbs (w/ visor)
DF-14	14.3"	11.6"	4.86"	6"	2.56"	9 lbs 10.8 lbs (w/ visor)

# DEFENDER

## Round Vandal Resistant Luminaire

MODEL NO.	TYPE	PROJECT/DATE
-----------	------	--------------

### ORDERING INFORMATION



Series	Size	Lumen Package	CCT	Finish	EM*
DF	08 - (8")	15W - (1200lm) (w/ visor 600lm)	CC - (30/40/50K Color Changeable)	BK - (Matte Black) DB - (Dark Bronze) SG - (Silver Gray) WH - (Matte White) PG - (Pine Green)* CB - (Corten Brown)*	EM0 - (4W Factory Installed Integrated EM)** EM1 - (8W Factory Installed Integrated EM)**
	10 - (10")	25W - (2500lm) (w/ visor 1200lm)			
	14 - (14")	30W - (3500lm) (w/ visor 1700lm)			

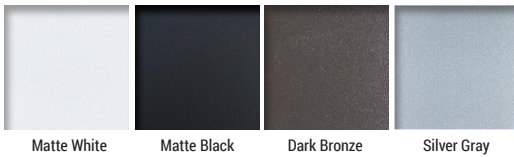
\*AVAILABLE ACCESSORIES: (SOLD SEPARATELY)

\*Additional cost and/or lead time on customized fixtures may apply.

\*\*EM0 - for 8 & 10" EM1 - for 14"

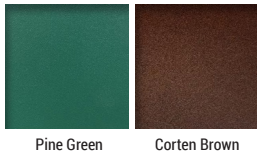
#### FINISH REFERENCE

##### STANDARD COLOR



FPFA-R  
FPFA-U

##### PREMIUM COLOR



#### \*Accessories

- FPFA-R - (120Vac Remote wall mount photocontrol)
- FPFA-U - (208-277Vac Remote wall mount photocontrol)
- DF-08-VISOR-BK - (8" black visor)
- DF-08-VISOR-WH - (8" white visor)
- DF-08-VISOR-DB - (8" dark bronze visor)
- DF-10-VISOR-BK - (10" black visor)
- DF-10-VISOR-WH - (10" white visor)
- DF-10-VISOR-DB - (10" dark bronze visor)
- DF-14-VISOR-BK - (14" black visor)
- DF-14-VISOR-WH - (14" white visor)
- DF-14-VISOR-DB - (14" dark bronze visor)

### SPECIFICATIONS

#### CONSTRUCTION

Single-piece die-cast aluminum housing with backplate mounting bracket constructed of 16-gauge aluminum. Aluminum overlay attached to impact proof lens with four recessed T20 stainless steel TORX®-head fasteners.

#### FINISH

Zinc-infused thermoset powder coat finish in matte black, dark bronze and white that provides superior resistance to corrosion and weathering.

#### OPTICS/DIFFUSER

High impact polycarbonate diffuser.



#### ELECTRICAL

Class 2 constant current 120-277Vac driver with 0-10V dimming, Long lasting LED engine.

#### MOUNTING

Wall and ceiling mount onto 4" Octagon or square J-box.

#### VALIDATIONS

ETL & cETL wet location listed IP65, IK10 rated, 8" and 10" is ADA compliant, FCC, RoHS Not all product variations listed on this page are DLC qualified. Visit <https://www.designlights.org/qpl> to confirm qualification

SPLITZER MODEL NUMBERS	DLC PRODUCT ID
DF-14-30W-CC-[BK,WH,DB]-[Blank,EM]	S-89KDDW
DF-08-15W-CC-[BK,WH,DB]-[Blank,EM]	S-5T9J7N
DF-10-25W-CC-[BK,WH,DB]-[Blank,EM]	S-YPBFMC