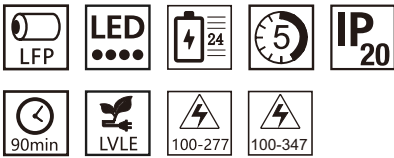


LED emergency driver YH36



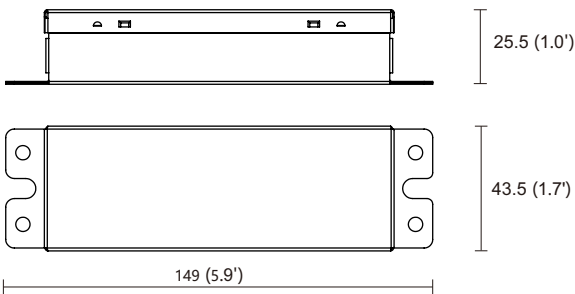
Product description

- Suit for 9W to 100W lamp with external led driver.
- Used with LiFePO4 battery.
- Output 15-54VDC 9W constant power.
- LED emergency converter that can transfer standard LED fitting into emergency LED fitting.
- Accessary test switch and charge indicator.

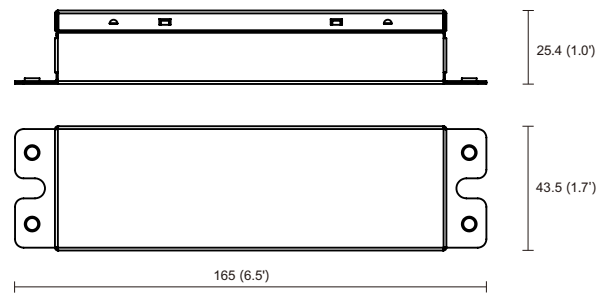
Applications

- UL Listed for dry locations.
- For use on a wide range of LED fittings to convert them from standard to emergency fitting.
- Additional Relay that can control standard LED driver.
- Deep discharge protection.
- Ambient range t_a 10...60°C.
- IP20 protection.
- Not intended for use in luminaries for high-risk task area lighting.

Dimensions



Emergency driver



Battery pack

Ordering data

Model No. :	Input voltage	Output voltage/power (Emergency mode)	Battery pack	Duration (E M mode)
YH36-09WL-50	100-347Vac 50-60Hz	15-54V 9W	LiFePO4 6.4V,3.2Ah,20.48Wh	90minutes
YH36A-09WL-50	100-277Vac 50-60Hz	15-54V 9W	LiFePO4 6.4V,3.2Ah,20.48Wh	90minutes

CP: Constant power

LED emergency driver YH36

Technical data

Item	Data
Rated input voltage	100-347V,100-277VAC,50/60Hz
Input current	80mA Max
Input power	5W max
Power factor	0.6 @100VAC, 0.5@347VAC
Output wire L-out N-out (LED load input)	AC 6A Max
Output voltage range	DC15-54V, 60V max
Output voltage(emergency mode)	7.9-8.6W, constant power
Battery pack voltage/capacity	LiFePO4 6.4 3200mAh, 20.48Wh
Recharge current	0-200mA
Recharge time	24hours
Discharge time	90 minutes
Max. casing temperature tc	70°C
Ambient operating temperature ta	10-60°C
Service life	50000 hours
RFI/EMI	FCC

Protections:

- Input over current protection.
- Output over voltage protection.
- Output under current protection.
- Output short circuit protection.

CAUTION:

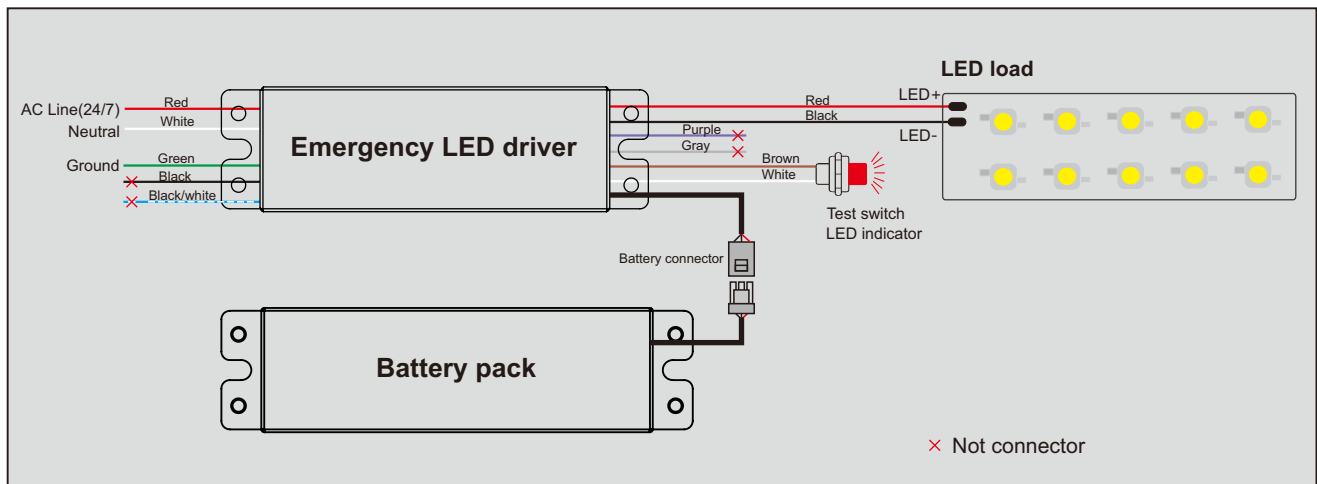
- **DO NOT USE OUTDOORS.**
- **DO NOT MOUNT NEAR GAS OR ELECTRONIC HEATERS.**
- **EQUIPMENT SHOULD BE MOUNTED IN LOCATIONS AND AT HEIGHTS WHERE IT WILL NOT BE SUBJECTED TO TAMPERING BY UNAUTHORIZED PERSONNEL.**
- **THE USE OF ACCESSORY EQUIPMENT NOT RECOMMENDED BY THE MANUFACTURER MAY CAUSE AN UNSAFE CONDITION.**
- **DO NOT USE THIS EQUIPMENT FOR OTHER THAN ITS INTENDED USE.**
- Use with grounded, UL Listed, damp location rated fixtures and case should be grounded.
- The equipment is intended for ordinary locations and for permanent installation into one or more Listed emergency luminaires.

LED emergency driver YH36

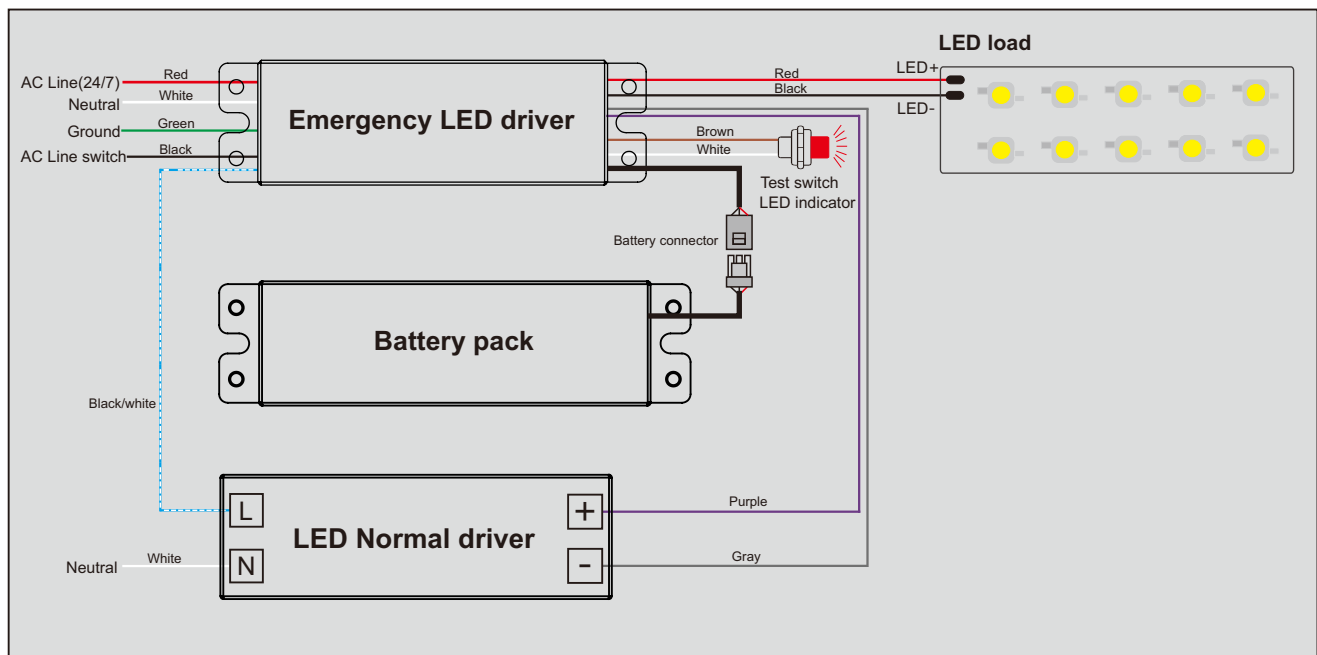
Installation instruction:

- Please install this product properly by the licensed electrician.
- Surface mounting and suspending mounting are available.
- It is only used for <100W lighting fixtures.
- Please check and confirm all the data and usage surrounding before installation.
- Damp or wet location installation is NO.
- This item could be used in the sealed fixtures or installed open area of the fixtures.
- Please keep it away from the flammable materials with a place of good heat dissipation.
- Please charge the battery consistently for >24 hours for the first time usage so as to activate the whole battery cells of discharging/charging duration.

Wiring diagram(Non-maintained)



Wiring diagram(Maintained)



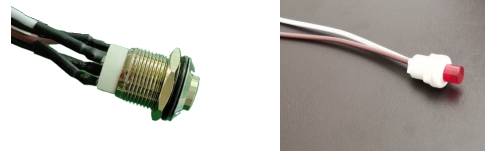
LED emergency driver YH36

Test switch

- Emergency conversion Kit will go into emergency mode if test switch is pressed when main supply is on, while it will go into charging mode if test switch is not pressed.
- In emergency mode, press the test switch for 3 seconds to turn off the current emergency state.

LED indicator

- Red stable: charging mode or charging full.
- Red off: mains power off or discharging mode.



Attention

- To guarantee the rated discharge time, please charge the battery for more than 24 hours.
Please ensure that the voltage is 80% higher than the rated voltage, less than 110% of the highest rated voltage.
- Charge and discharge cycle needs to be done at least once every three months, and the continuous charging time can not exceed 3 months.

Warranty

- Warranty 5 years
- Except for the following circumstances:
 - 1) Improper installation or operation.
 - 2) Misuse.
 - 3) Abuse.
 - 4) Unauthorized or improper repair alteration.
 - 5) Accident or negligence in use, storage, transportation.
 - 6) Any natural acts.

* If users would like to change the batteries pack, please use the nominated models of STREAMER , then it will be under the warranty .