

DFR U

Fire-rated Downlight Universal Input Voltage

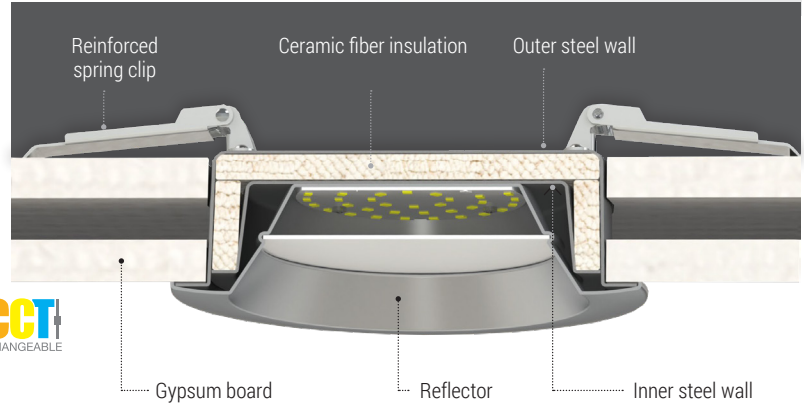
MODEL NO.	TYPE	PROJECT/DATE
-----------	------	--------------

KEY FEATURES

- Complies with UL263/ASTM E119 2-hour fire test rating
- Double Steel Walled Casing filed with Ceramic Fiber Insulation
- Recessed Housing Not Required, Easy Installation and Maintenance
- Regressed Lens housing provide visual comfortable illumination
- IC Rated, Air Tight and Suitable for Wet Location

TECHNICAL SUMMARY

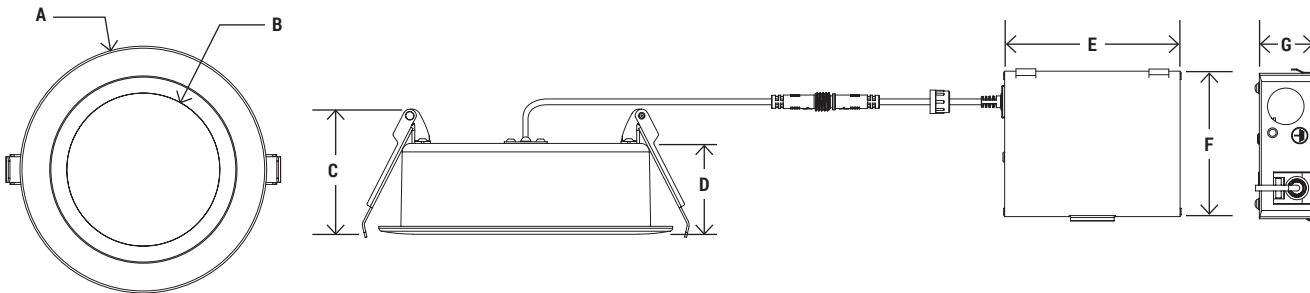
SIZE:	4 inch / 6 inch
WATTAGE:	10W / 15W
LUMEN/EFFICACY**	up to 750LM (10W) up to 1200LM (15W) / up to 80 LM/W
INPUT VOLTAGE	120-347Vac
AVAILABLE CCT/CRI	27/30/35/40/50K CCT changeable / CRI >90
CONTROL	0-10V 10% dimming
VALIDATIONS	ETL & cETL wet location listed, Air-tight & IC rated, 2-hour fire rating comply with UL263, ASTM E119, JA8/Title24
LIFETIME	L70>56,000 hours, 5 year warranty
OPERATION TEMP.	-4°F ~ 104°F



*Delivered lumen may vary, refer to photometric for full performance data



DIMENSIONS



Model No.	A OVERLAP TRIM	B APERTURE	C OVA HEIGHT	D HEIGHT	E DRIVER LENGTH	F DRIVER WIDTH	G DRIVER HEIGHT	CEILING CUT-OFF
DFR-4	5"	2.49"	2.98"	2.16"	4.23"	3.62	1.44"	4.33"
DFR-6	7"	4.34"						6.3"

DFR U

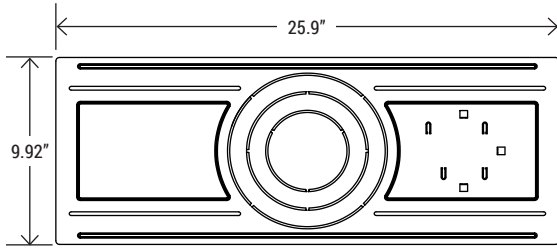
Fire-rated Downlight Universal Input Voltage

MODEL NO.	TYPE	PROJECT/DATE
-----------	------	--------------

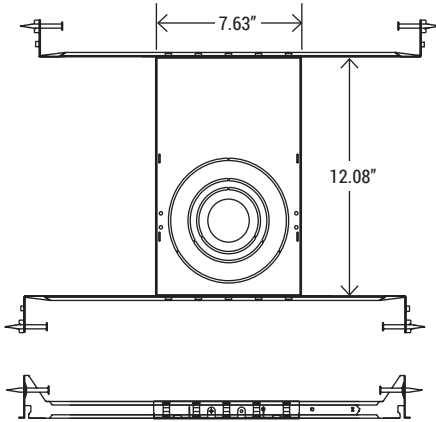
ORDERING INFORMATION

*Additional cost and/or lead time on customized fixtures may apply.

<input type="text"/>	-	<input type="text"/>	-	<input type="text"/>	-	<input type="text"/>	-	<input type="text"/>
Series	Size	Lumen Package	Voltage	CCT	Control			
DFR Wafer Style Fire Rated Downlight	4 - (4IN)	7L - (up to 750lm)	U - 120-347Vac	5CC - (27K/30K/35K/40K/50K Color Changeable)	C10 - 0-10V 10% dimming			
	6 - (6IN)	12L - (up to 1200lm)						



DFRCMP



DFRCNF

***Accessories (Sold separately)**

- DFRCMP - Rough-in mount plate for DFR 4"/6"
- DFRCNF - New construction frame with hanger bars for DFR 4"/6"
- DFR3P6F - 3pin 6ft extension cable
- DFR3P12F - 3pin 12ft extension cable

SPECIFICATIONS

CONSTRUCTION

Reinforced heat resistant steel casing housing with integrated ceramic fiber insulation and PC lens, FT6/CMP plenum rated cable to connect from module to remote driver box.

FINISH

White/Red

OPTICS

Frosted PC Lens provide uniformed illumination.

ELECTRICAL

Long life LED system, input voltage 120-347Vac, 27/30/35/40/50K CCT changeable. 0-10V 10% dimming

LISTINGS

ETL & cETL wet location listed, RoHS, Air-tight & IC rated, 2-hour fire rating comply with UL263, ASTM E119 and CAN ULC S101.

MOUNTING

Direct recessed mount, using either a new construction frame or rough in plate