

BELL

Direct Mount Deep Arch Downlight

MODEL NO.	TYPE	PROJECT/DATE
-----------	------	--------------

KEY FEATURES

- Direct mount canless downlight with deep arch bezel
- Small 2.6" aperture but powerful up to 800LM output
- IC and Wet location rated with FT6/CMP plenum rated cable
- Multiple optic option with excellent glare control and visual cut-off
- 90CRI, 5CCT field changeable standard
- Warm dim 3000-1800K optional

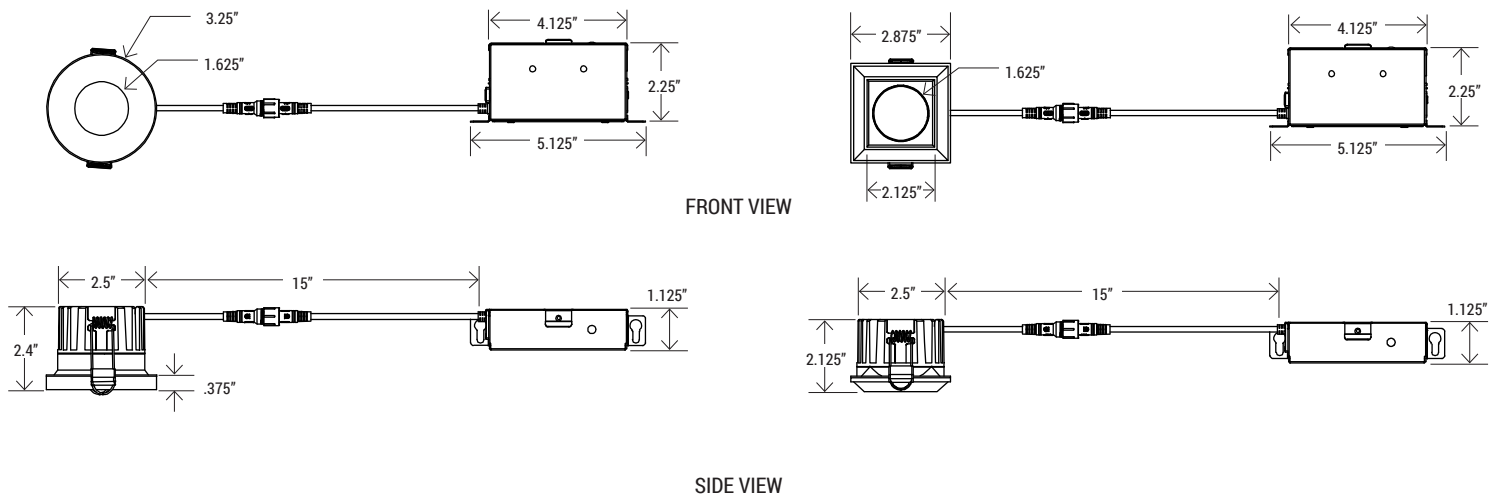
TECHNICAL SUMMARY

SIZE:	Aperture 2.6" OD or 2.6"x2.6", Overlap trim 3", Height 2.8"
WATTAGE:	12W
LUMEN/EFFICACY	800LM* / 70LM/W
INPUT VOLTAGE	120-277Vac
AVAILABLE CCT/CRI	27/30/35/40/50K CCT changeable, 3000-1800K warm dim (optional) / CRI >90
CONTROL	Triac dimming at 120Vac, Warm dim optional
VALIDATIONS	ETL & cETL wet location listed, IC rated, FCC compliant, JA8 title 24
LIFETIME	L70>56,000 hours, 5 year warranty
DISTRIBUTION	Beam 24, 36, and 50 degree
OPERATION TEMP.	-5°F ~ 104°F
FINISH	White, Black

*Delivered lumen may vary, refer to photometric for full performance data



DIMENSIONS FOR DBR, DBS



BELL

Direct Mount Deep Arch Downlight

MODEL NO.	TYPE	PROJECT/DATE
-----------	------	--------------

ORDERING INFORMATION

*Additional cost and/or lead time on customized fixtures may apply.

Series	Size	Lumen Package	Input Voltage	CCT	Light Distribution	Control	Finish
DBR	2 - (2" Aperture)	8L - (800lm)	U - (120-277Vac)	5CC - (27/30/35/40/50K Color Changeable) CW - (30K - 18K Dim to Warm)**	ND - (Narrow 24° Beam) MD - (Medium 36° Beam) WD - (Wide 50° Beam)	CT - (Triac 10% Dimming) CW - (Triac 10% Dim to Warm 3000K - 1800K)**	WH - (Matte White) BK - (Matte Black)
DBS	2 - (2" Aperture)						

**CW must be ordered together

*AVAILABLE ACCESSORIES: (SOLD SEPARATELY)



YH29FA-21VL
21W field installed inverter
(W2.95" x L12.9" x H1.37")



DBSR6F / DBSR10F / DBSR20F
Bell 3pin 6ft / 10ft / 20 ft
Extension Cable



DBSRNF
Bell new construction plate with
hanger bars (square and round use
the same)



DBSRMP
Bell rough in plate (square
and round use the same)

*Accessories

- YH29FA-21VL** - 21W field installed inverter
- DBSRNF** - Bell new construction plate with hanger bars (square and round use the same)
- DBSRMP** - Bell rough in plate (square and round use the same)
- DBSR6F** - Bell 3pin 6ft extension cable
- DBSR10F** - Bell 3pin 10ft extension cable
- DBSR20F** - Bell 3pin 20ft extension cable

*Available accessories sold separately, please refer next page for details

SPECIFICATIONS

CONSTRUCTION

Cast aluminum round or square housing and heat sink with FT6/CMP plenum rated cable to connect from module to remote driver box.

FINISH

Matte White, Matte Black

OPTICS/DIFFUSER

Injection molded optic in Narrow (24D), Medium (36D), Wide (60D) with frosted PC diffuser.

ELECTRICAL

120-277Vac, 27/30/35/40/50K CCT changeable or 3000-1800K warm dim. Line voltage Phase/Triac dimming at 120Vac standard.

MOUNTING

Direct recessed mount, accommodates 3/8" to 1 1/2" ceiling thickness.

VALIDATIONS

IC rated, ETL & cETL wet location listed, FCC compliant, JA8 title 24, RoHS