

# INSTALLATION MANUAL



### SAFETY INFORMATION

**BE SURE THE POWER IS OFF! RISK OF ELECTRICAL SHOCK:** Always use the switch to power off. Do not perform any operations while this unit is powered on. The electrical system you want to connect the device to must be grounded. Read the instructions before using or powering this device. The safety instructions must remain with the unit in case of transfer. Any damage to the device linked to an inappropriate use is excluded from support by the warranty. Before connecting, make sure that the current and voltage are compatible with this device. We highly recommend that all installations are made by QUALIFIED ELECTRICIAN. We are NOT responsible by any means for the use or misuse of the following information. We are NOT responsible in whole or part for any harm or damage that may or may not be caused. We reserve the right to revise the components of any product, due to part availability or change ETL, CUL, UL standards without assuming any obligation or liability to modify any products previously manufactured and without notice. These instructions do not cover all details of variations in equipment, nor do they provide every possible contingency to be met. Turn off / unplug power when installing or service device.

### PRE - INSTALLATION

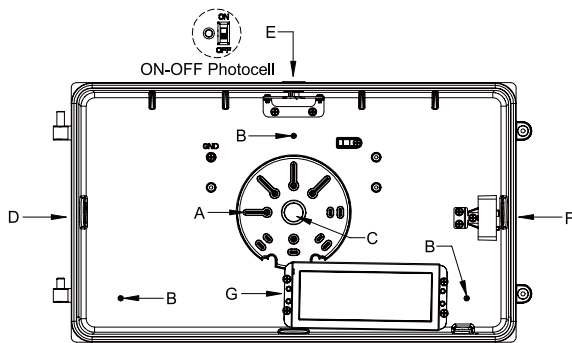
- Consult a qualified electrician to ensure correct branch circuit conductor.
- The product should be installed and operated by a qualified electrician or technician in accordance with relevant local codes.
- Risk of the electric shock. Ensure that main power source is off when wiring or soldering the sections of the product.
- Before installing this fixture or doing any maintenance, make sure to turn off the power supply at the circuit breaker or fuse box.
- Check to make sure that all fixture connections have been properly made and the fixture is grounded to avoid potential electrical shock.
- Designed for use in AC 110-277V/110-347V, 50/60Hz, protected circuit.

### INCLUDED

- LED Luminaire
- Installation instruction

## INSTALLATION (Caution: Before beginning installation turn off the circuit breaker and light switch)

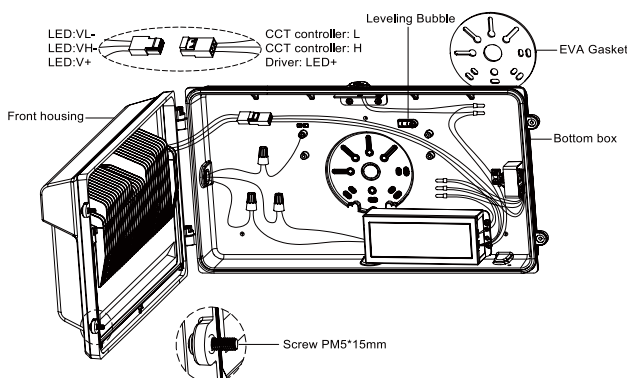
### JUNCTION BOX MOUNTING



- A - Standard 3 1/4" and 4" junction box blind holes
- B - 5/16" dia. screw hole
- C - Center hole outlet blind holes (tapped for junction box installation)
- D - 1/2" NPS tapped holes(plug removed for conduit installation)
- E - 1/2" NPS tapped holes(on-off photocell)
- F - 1/2" NPS tapped holes(power and CCT Adjustment controller)
- G - Power driver (location subject to change without notice)

1. Loosen screws and remove the front housing set carefully from the bottom box (Angle between front housing and bottom box varies from 0 degree to 90 degree. Push up to take down the front housing.)
2. Knuckle out the 1/2" hole in center (c) for wiring , the fixture supports standard 3 1/4" and 4" junction box.
3. Attach the back plate on the wall, use the supplied gaskets for a weather tight seal .
4. Finish wiring (**Black for Line , White for Neutral and Yellow/Green for Ground**) .
5. Replace the lens set on the hinges , make connections and close the lens set, then tighten the screws .

### CONDUIT MOUNTING

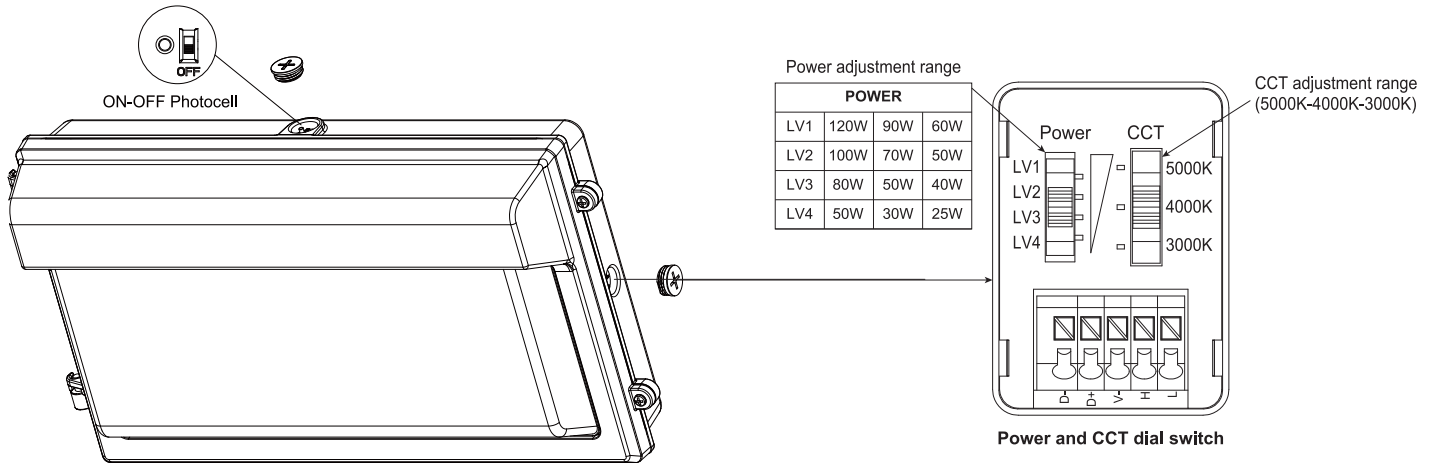


1. Loosen screws and remove the front case set carefully from the bottom box. (Angle between Front housing and bottom box varies from 0 degree to 45 degree. push up to take down the front housing. )
2. Knuckle out the 1/2"hole in sides of the fixture (or remove the 1/2" plug in the top of fixture) where you intend to feed conduit.
3. Drilling out the holes (B) to secure it on the wall with choosing proper screws .
4. Finish wiring (**Black for Line , White for Neutral and Yellow/Green for Ground**)
5. Replace the lens set on the hinges , make connections and close the lens set then tighten the screws .

Note: To ensure waterproof seal, apply weatherproof silicone sealant between the mounting surface and mounting box, as well as around the sides of the housing. This is especially important with an uneven wall surface. silicone all plugs and unused conduit entries.

**INSTALLATION MANUAL**

**POWER & CCT SELECTABLE VERSION (OPTIONAL)**



1. Remove the 1/2" screw plug on the side of the fixture.
2. Select Power(White) and CCT(Black) by sliding the respective switch to the desired value according to the figure.
3. Replace the 1/2" screw plug and tighten with a flat head screwdriver.
4. Enable or disable the photocell with ON/OFF switch.

**WIRING DIAGRAM**

For dimming version, please check wiring diagram below.

**WITHOUT EMERGENCY BATTERY**

<b>LED FIXTURES</b>	Black	Line
	White	Neutral
	Green/Yellow Green	Ground
	Purple	DIM+
	Pink	DIM-

**EMERGENCY BATTERY**

<b>LED FIXTURES</b>	Red	AC line(24/7)
	Black	AC line switch
	White	Neutral
	Green/Yellow Green	Ground
	Purple	DIM+
	Pink	DIM-

**TROUBLESHOOTING**

1. Check that the line voltage at the fixture is correct. Refer to wiring directions.
2. Is the fixture grounded properly.
3. Be sure the photocell, if used, is functioning properly.