

# INSTALLATION MANUAL



## SAFETY INFORMATION

**WARNING:** Read all safety precautions and installation instructions carefully before installing or servicing this fixture. Failure to comply with these instructions could result in a potentially fatal electric shock, fire, and/or property damage.

- To reduce the risk of electric shock or other personal injury which could be hazardous or fatal, ensure power is turned OFF at the fuse or breaker box before making any electrical connections or removing the old fixture.
- Changes or modifications not expressly approved by the party responsible for compliance could void the user's authority to operate the equipment.
- Fixture may be directly mounted to the ceiling.
- Fixture should be installed by a qualified electrician or person experienced with household wiring. The electrical system, and method of electrical connection of the fixture, must be in accordance with the National Electrical Code and local building codes.

**NOT INTENDED FOR USE WITH EMERGENCY EXITS**  
**NOT SUITABLE FOR WET LOCATIONS**  
**CONSULT A QUALIFIED ELECTRICIAN TO ENSURE CORRECT BRANCH CIRCUIT CONDUCTOR**

## PRE-INSTALLATION

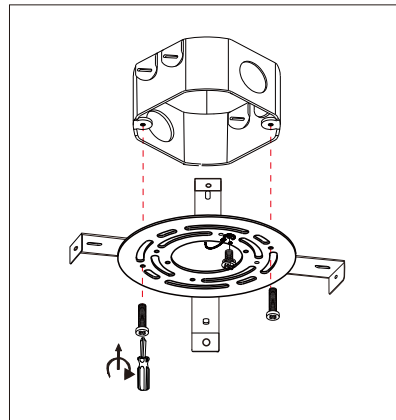
- Turn off the electrical power at the fuse or circuit breaker box before installing or servicing any part of this fixture.
- In replacing a fixture, remove existing fixture and make a sketch of wiring configuration (by color) or mark wires with masking tape for identification.
- Remove panel light from carton and check that all parts are included. Be careful not to misplace any of the screws or parts needed for installing the fixture.

## SUSPENDED MOUNT INSTALLATION

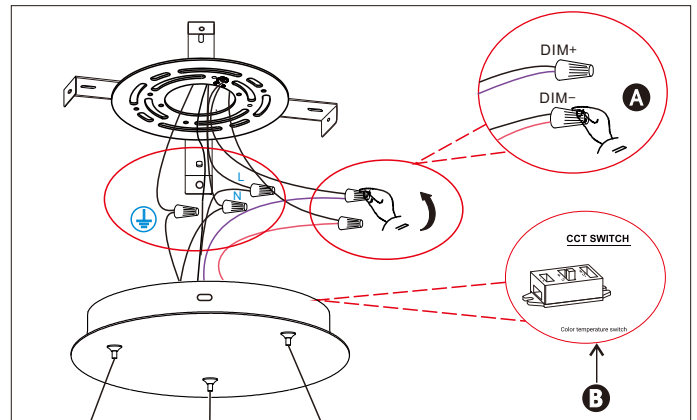
### PRODUCT PARAMETER

INPUT VOLTAGE	100V-277V
DRIVER	BUILT-IN DRIVER
MATERIAL	METAL ALLOY BODY

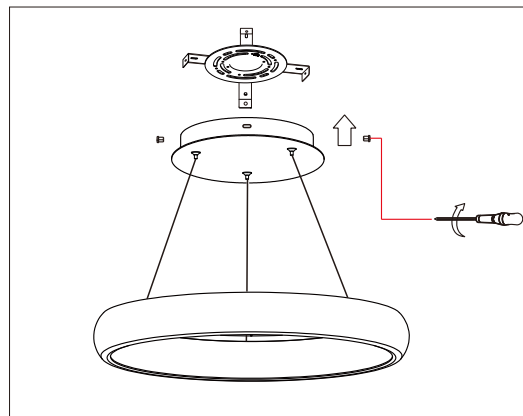
**STEP 1** ----->  
Fasten mounting plate to J-box



**STEP 2** ----->  
Connect wires



**STEP 3** ----->  
Tighten the canopy to mount plate with provided screws



**STEP 4** ----->  
Press buttons to adjust aircraft cable length. Installation completed

