

### INSTALLATION MANUAL

PRODUCT PARAMETER	
INPUT VOLTAGE	120 - 277V
LISTINGS	ETL, IP66
MATERIAL	DIE-CAST ALUMINUM



#### SAFETY INFORMATION

**BE SURE THE POWER IS OFF! RISK OF ELECTRICAL SHOCK:** Always use the switch to power off. Do not perform any operations while this unit is powered on. The electrical system you want to connect the device to must be grounded. Read the instructions before using or powering this device. The safety instructions must remain with the unit in case of transfer. Any damage to the device linked to an inappropriate use is excluded from support by the warranty. Before connecting, make sure that the current and voltage are compatible with this device. We highly recommend that all installations are made by QUALIFIED ELECTRICIAN. We are NOT responsible by any means for the use or misuse of the following information. We are NOT responsible in whole or part for any harm or damage that may or may not be caused. We reserve the right to revise the components of any product, due to part availability or change ETL, CUL, UL standards without assuming any obligation or liability to modify any products previously manufactured and without notice. These instructions do not cover all details of variations in equipment, nor do they provide every possible contingency to be met. Turn off / unplug power when installing or service device.

#### WARNING

**WARNING:** Read all safety precautions and installation instructions carefully before installing or servicing this fixture. Failure to comply with these instructions could result in a potentially fatal electric shock, fire, and/or property damage.

- Turn off the electrical power at the fuse or circuit breaker box before installing or servicing any part of this fixture
- If replacing a fixture, remove existing fixture and make a sketch of wiring configuration (by color) or mark wires with masking tape for identification
- Remove the lamp base and diffuser from the carton and check that all parts are included. Be careful not to misplace any of screws or parts needed for installing the fixture
- Diffuser is fragile. Carefully set aside in a safe location to avoid damage until ready to be installed.

#### FCC WARNING

**WARNING:** Changes or modifications to this unit not expressly approved by the party responsible for compliance could void the user authority to operate the equipment.

**NOTES:** This equipment has been tested and found to comply with the limits for a Class B digital device, pursuant to Part 15 of the FCC Rules. These limits are designed to provide reasonable protection against harmful interference in a residential installation. This equipment generates, uses and can radiate radio frequency energy and, if not installed and used in accordance with the instructions, may cause harmful interference to radio communications. However, there is no guarantee that interference will not occur in a particular installation. If this equipment does cause harmful interference to radio or television reception, which can be determined by turning the equipment off and on, the user is encouraged to try to correct the interference by one or more of the following measures:

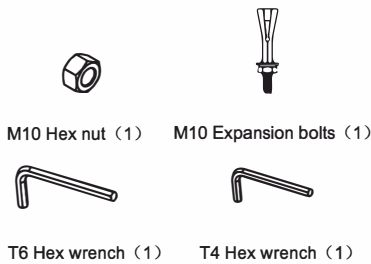
- Reorient or relocate the receiving antenna.
- Increase the separation between the equipment and receiver.
- Connect the equipment into an outlet on a circuit different from that to which the receiver is connected.
- Consult the dealer or an experienced radio/TV technician for help.

#### PRE - INSTALLATION

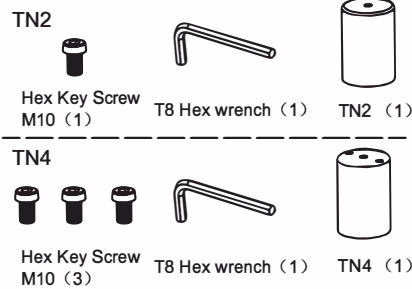
- Carefully remove the fixture from the carton.
- Before beginning assembly, installation, or operation of product, make sure all parts are present. Compare parts with package contents list and diagram on previous page. If any part is missing or damaged, do not attempt to assemble, install or operate the product. Contact customer service for replacement parts.
- Tools required for assembly (Not Included): screwdriver, phillips screwdriver, pliers, electrical tape, wire cutters, safety glasses, ladder, wire stripper.

#### PRE - INSTALLATION

##### Trunnion

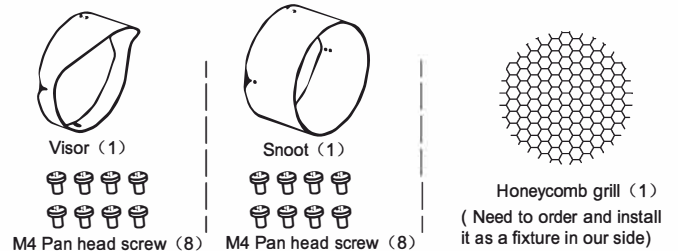


##### TENON ADAPTER

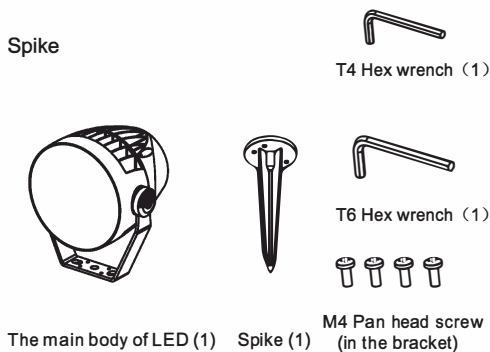


##### Optional Accessories

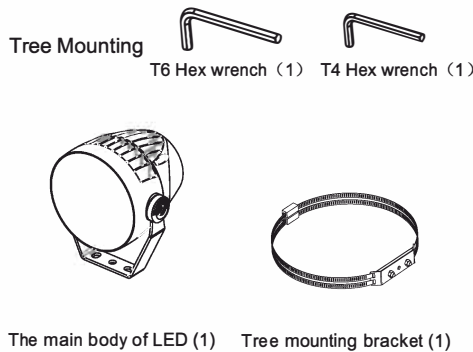
(Need to order separately by customer)



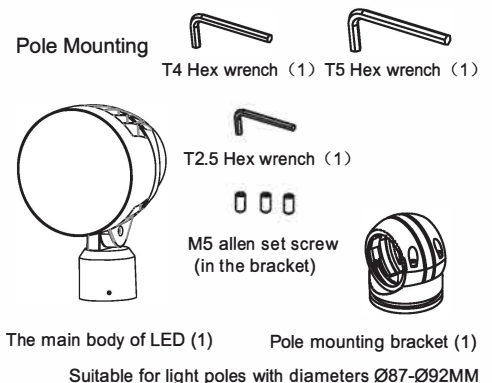
##### Spike



##### Tree Mounting



##### Pole Mounting

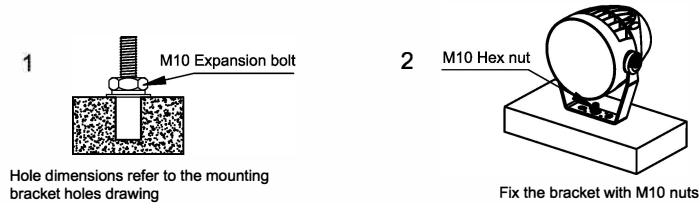


## INSTALLATION MANUAL

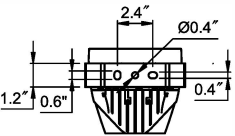
MODERN INSTALLATION (Caution: Before beginning installation turn off the circuit breaker and light switch)

### Trunnion

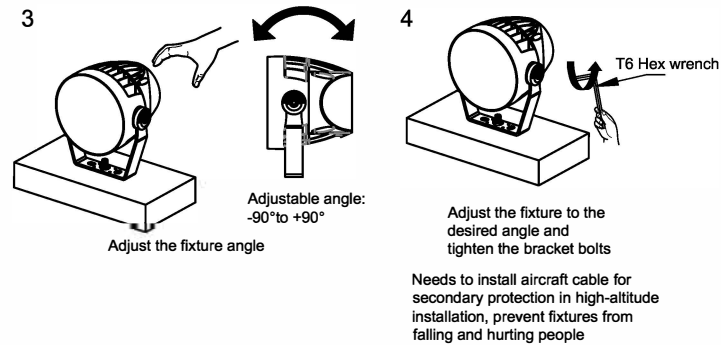
1. Install anchor screws on the fixed surface
2. Fix the fixture bracket
3. Adjust the fixture angle
4. Adjust the fixture to the desired angle and tighten the bracket bolts



Hole dimensions refer to the mounting bracket holes drawing

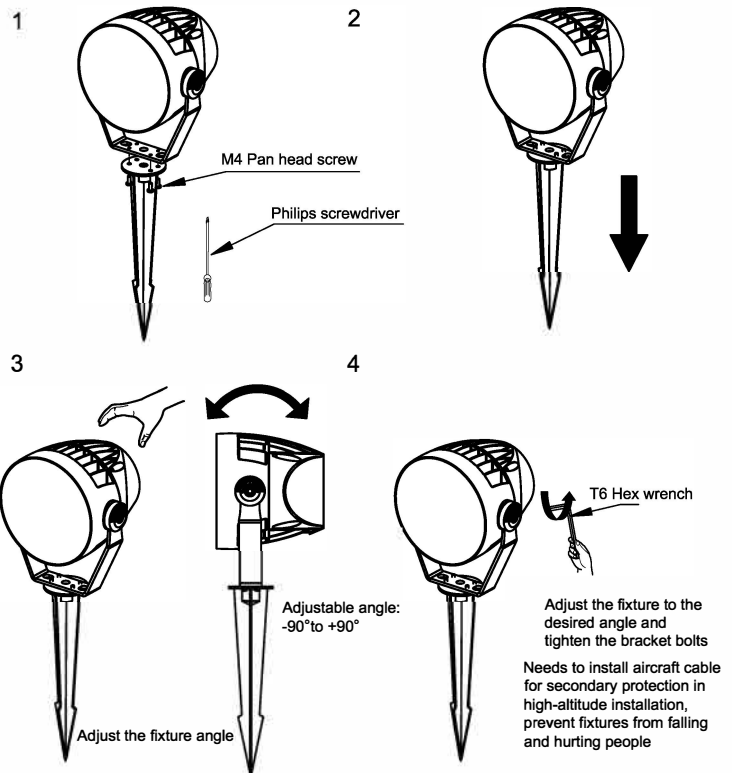


Bracket mounting holes



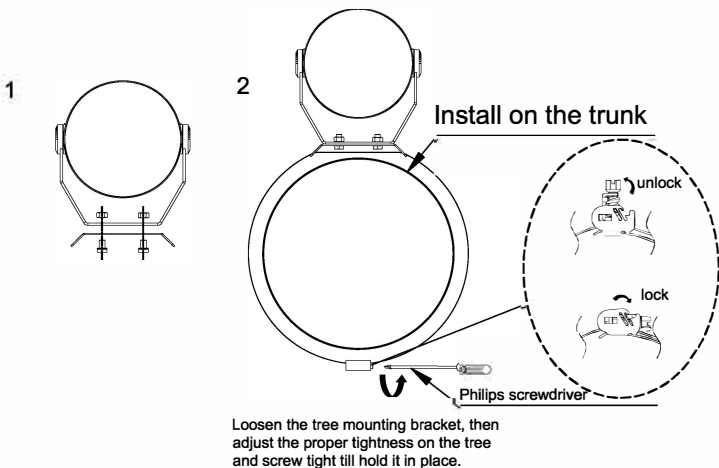
### Spike

1. Screw tight the the middle mounting bracket and the spike
2. Insert the spike into the soil
3. Adjust the fixture angle
4. Adjust the fixture to the desired angle and tighten the bracket bolts



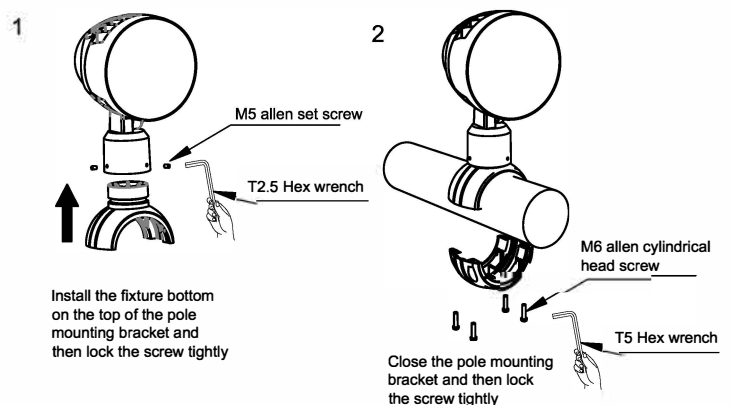
### Tree Mounting

1. Install the fixture bracket onto the tree mounting bracket
2. Install the whole kit on the tree trunk
3. Adjust the fixture angle (Refer to step 3 and 4 of trunnion mounting)



### Pole Mounting

1. Install the fixture and the pole mounting bracket together
2. Install the fixture on the light pole (light pole diameter, 89-93mm)
3. Adjust the fixture angle (Refer to step 3 and 4 of spike)



# RAY Series RAY-S

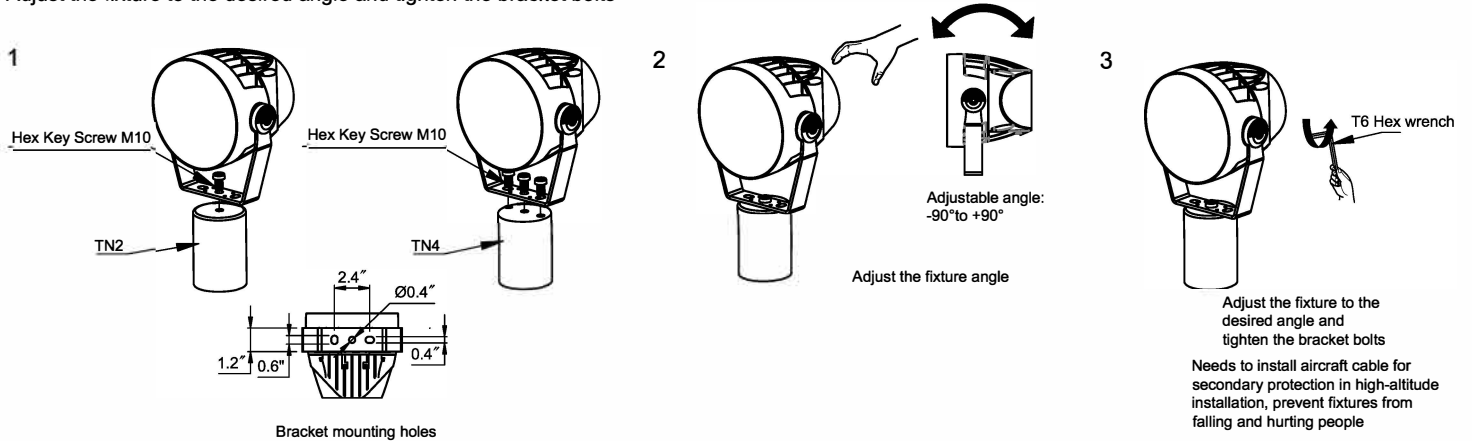
**Spitzer**  
LIGHTING

## INSTALLATION MANUAL

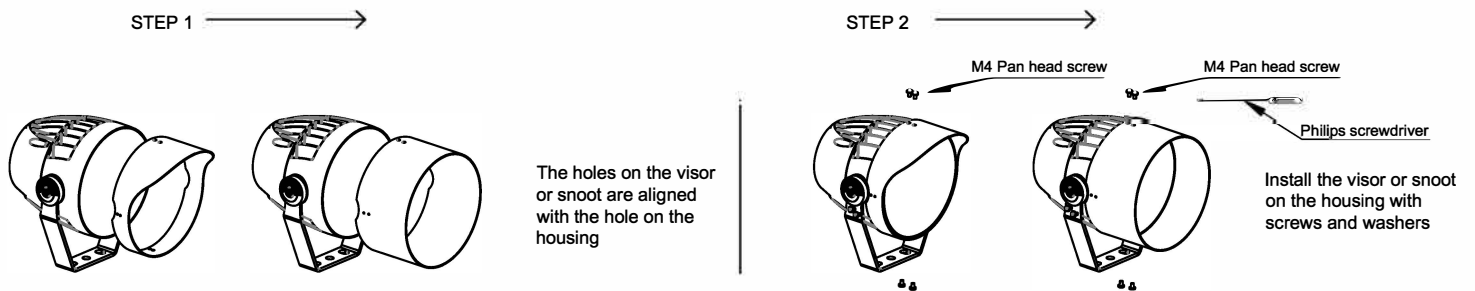
MODERN INSTALLATION (Caution: Before beginning installation turn off the circuit breaker and light switch)

### TENON ADAPTER ACCESSORY

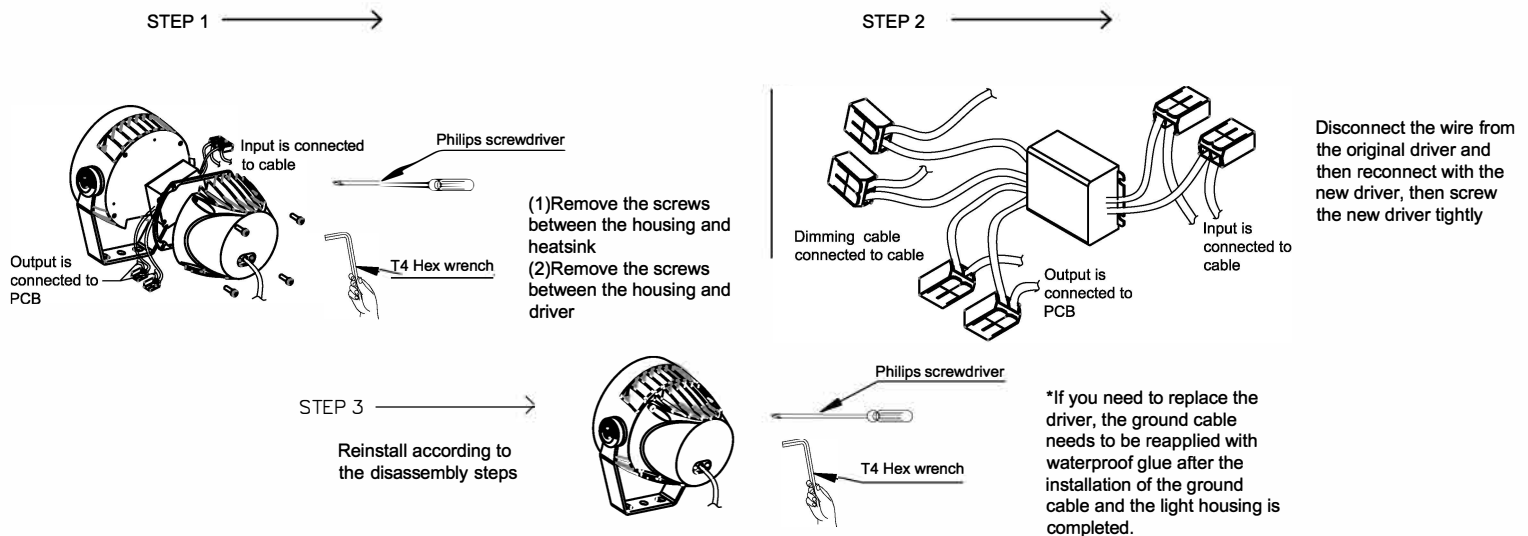
1. Mount the fixture support on TN2/TN4
2. Adjust the fixture angle
3. Adjust the fixture to the desired angle and tighten the bracket bolts



Visor&Snoot Installation (Caution: Before beginning installation turn off the circuit breaker and light switch)



Driver Replacement (Caution: Before beginning installation turn off the circuit breaker and light switch)



# RAY Series RAY-S

## INSTALLATION MANUAL

\*Do not remove the heat-shrinkable tube from the end of the bare cable even you do not need to connect the dimming cable.

