

hM

hM	
SSA	TYPE III / TYPE IV / TYPE V
SSA	13° ~ 7°



hM	
SSA	TYPE III / TYPE IV / TYPE V
SSA	13° ~ 7°

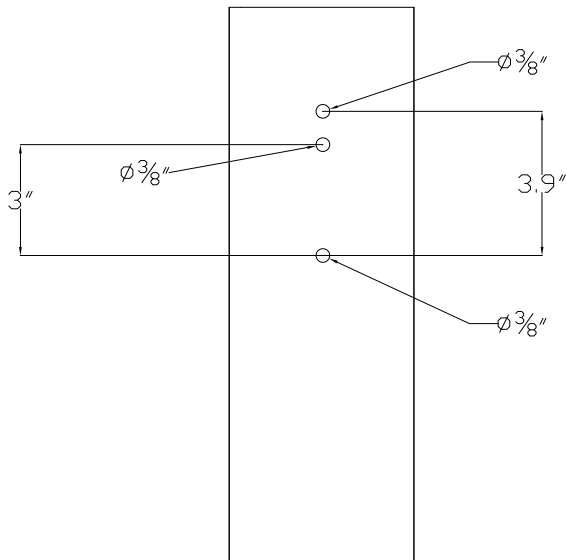
INSTALLATION #

Note: hM

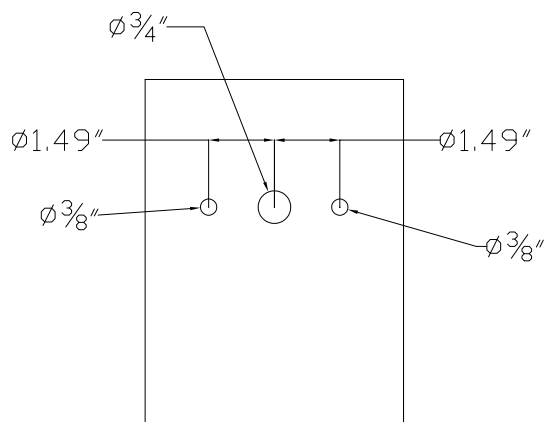


DRILLING PATTERN #

For Pole mount Arm  
SSA/SRA/ASA/ARA

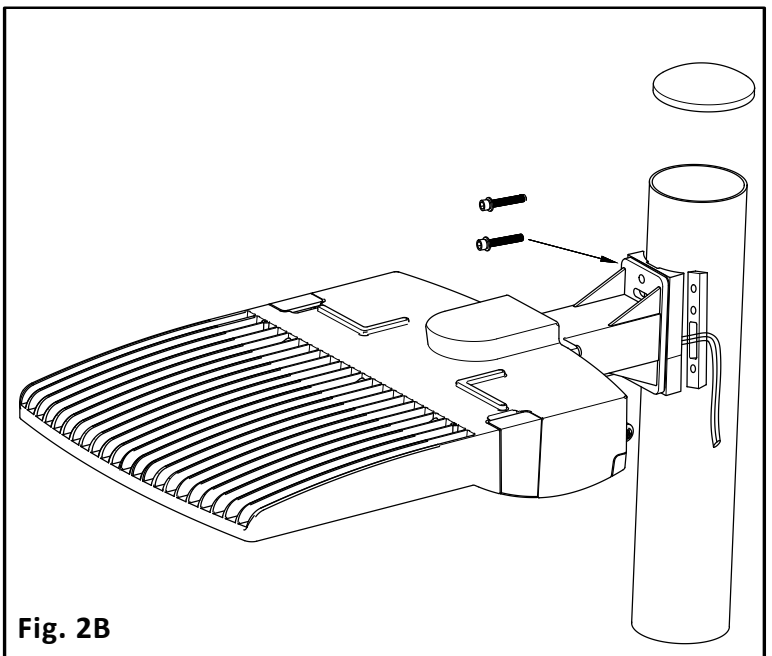
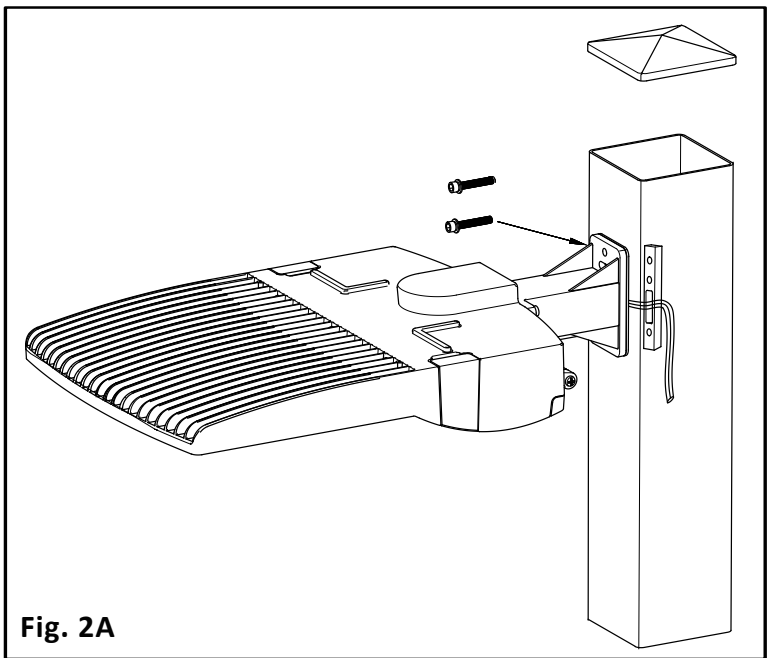
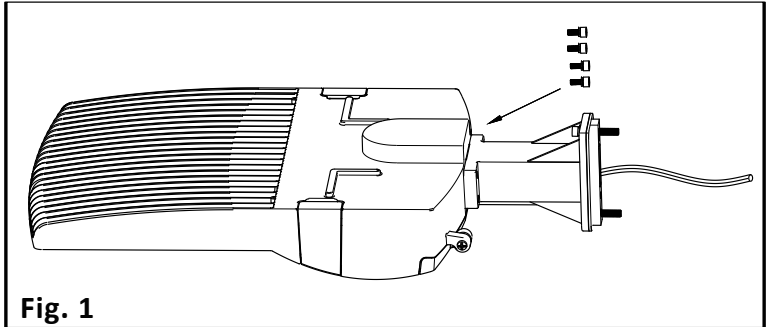
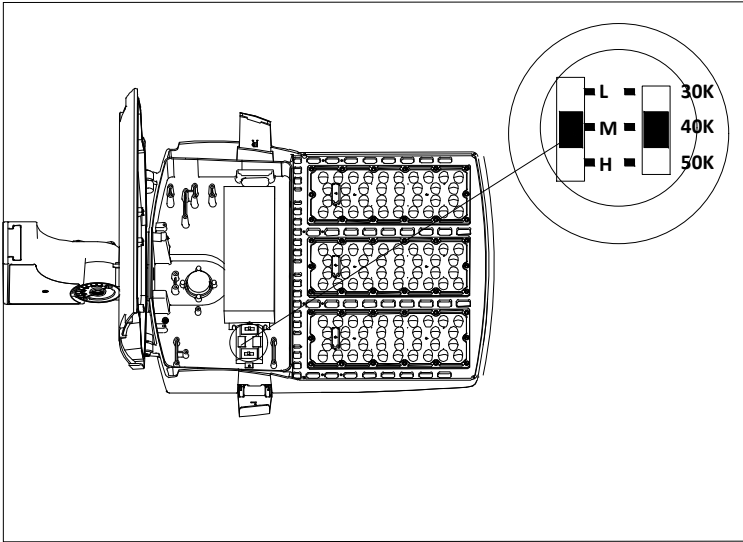


For Trunnion  
mount (TRU)



STANDARD POLE MOUNT ARM(Caution: Before beginning installation turn off the circuit breaker and light switch)

\*Before install, please select your desired lumen and CCT



1. Standard pole Mount Arm (SSA/SRA)

o )

o @ ° ° ok °

7

o k

o @

7 °

o @

7 "

o †

.....7 ° ° °

.....7 ° ° °

.....7 ° ° °

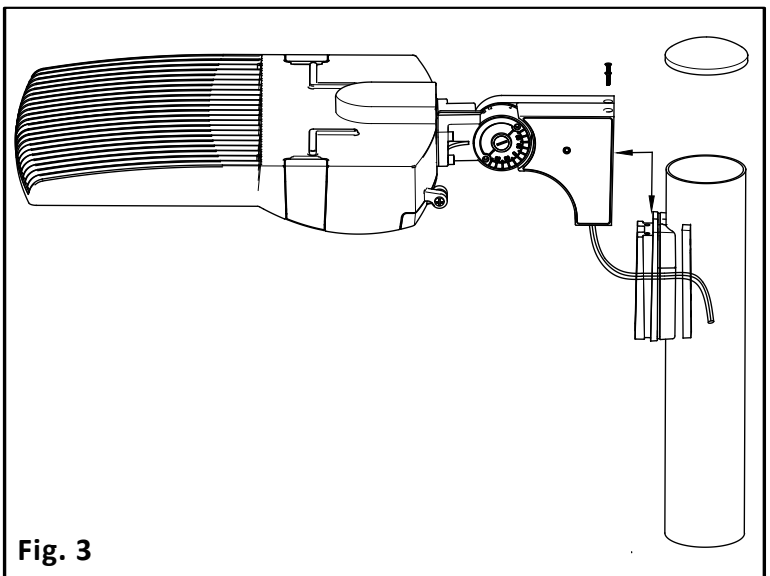
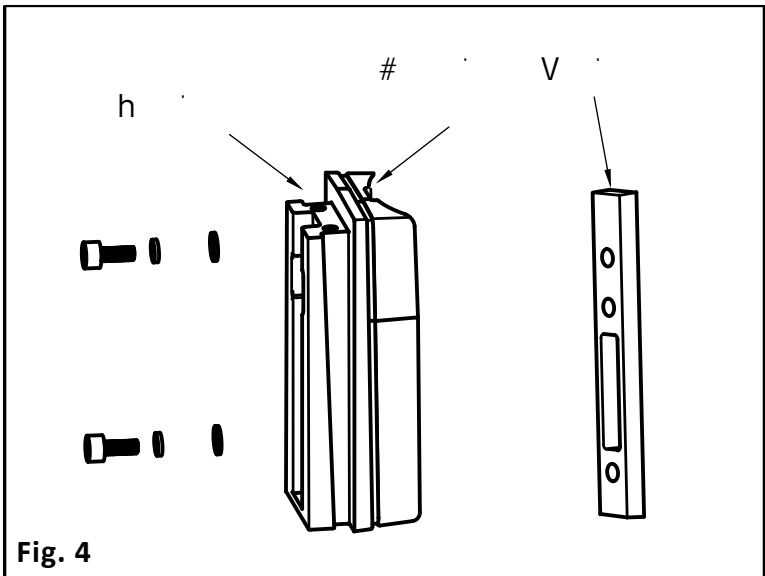
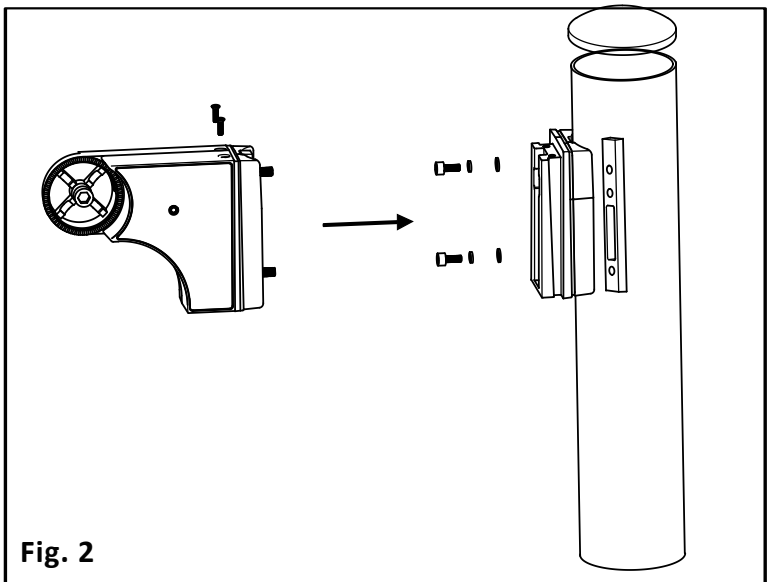
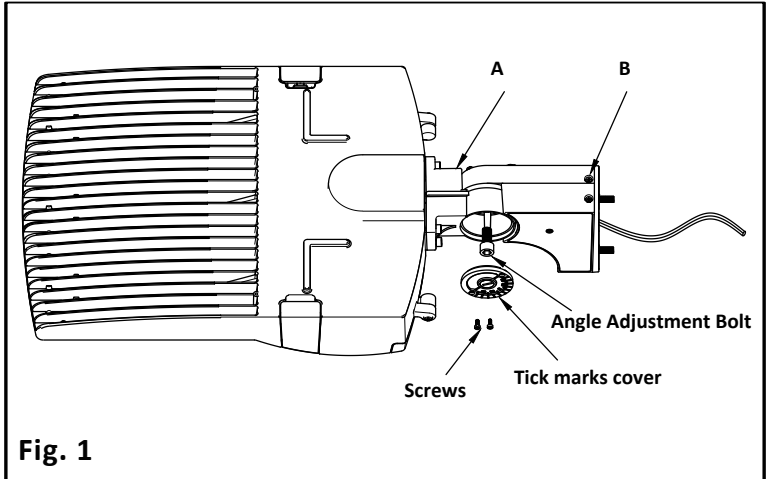
o k

@/ou° 00° u@ V`U ° Vy ° 0

ADJUSTABLE POLE MOUNT ARM(Caution: Before beginning installation turn off the circuit breaker and light switch)

### 2.Adjustable Round pole Mount Arm (ARA)

o )  
o @ k 7  
o y 7 k  
o k  
o = 7  
o k @  
7  
o ‡  
7 o 0  
7 o V  
7 o 8  
o k



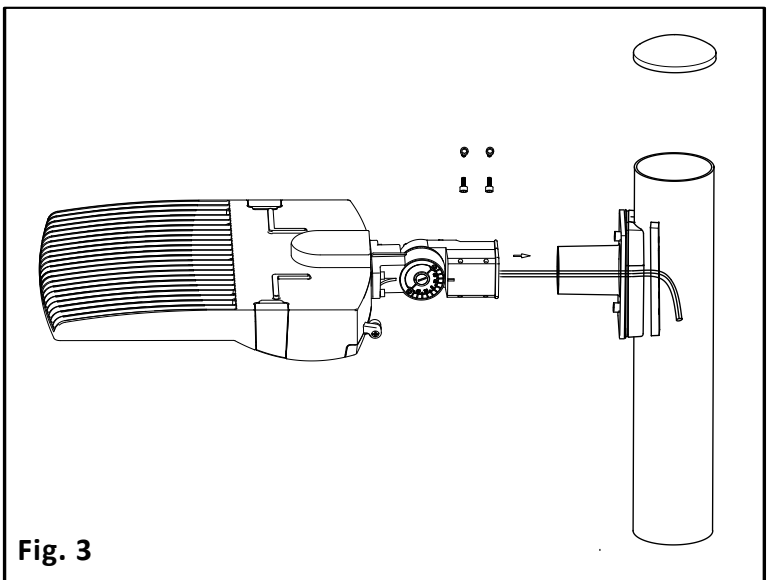
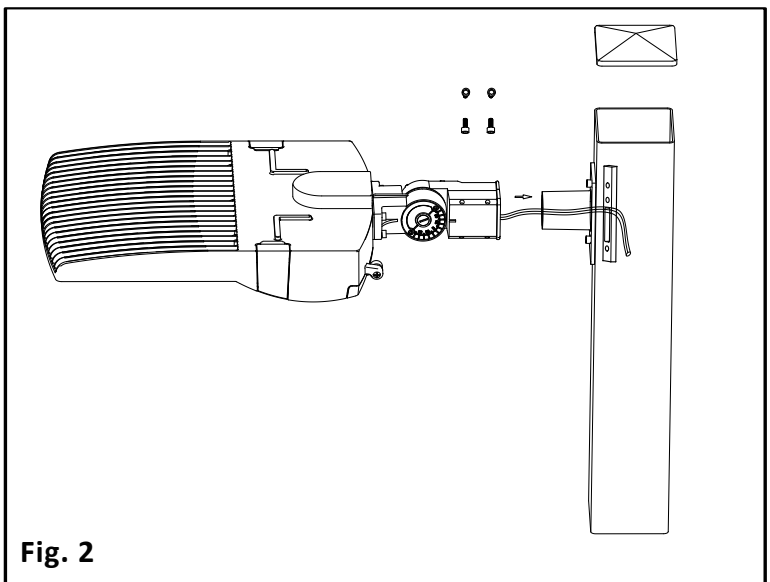
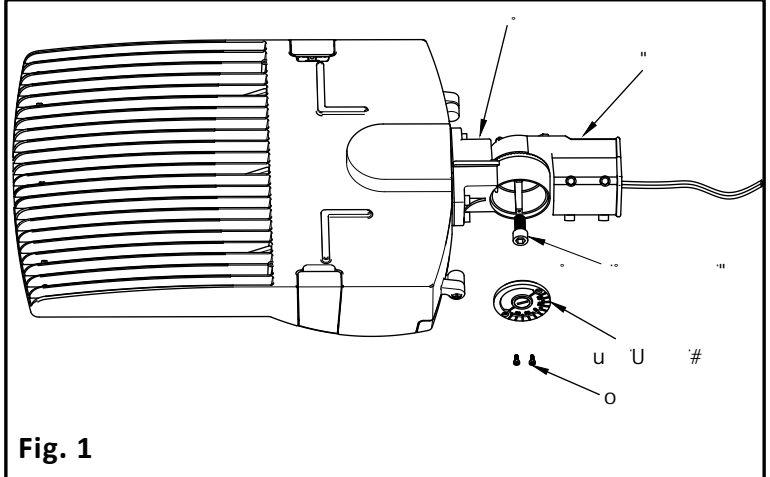


@/ou° 00° u@ V'U ° Vy ° 0

TENON ADJUSTABLE POLE MOUNT ARM(Caution: Before beginning installation turn off the circuit breaker and light switch)

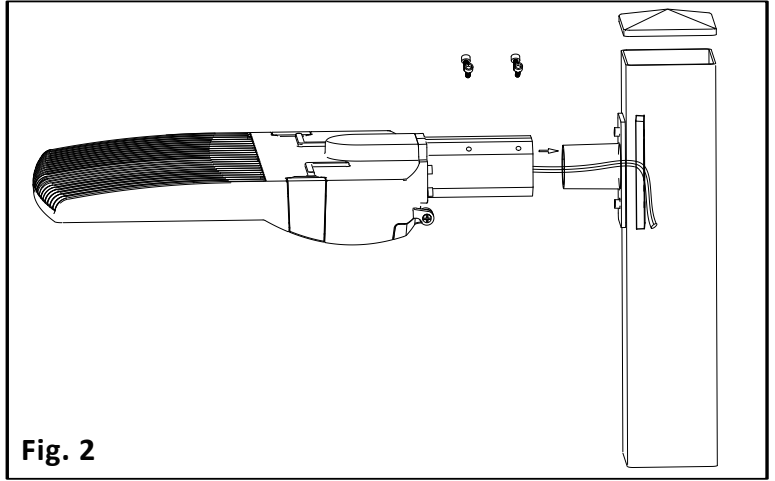
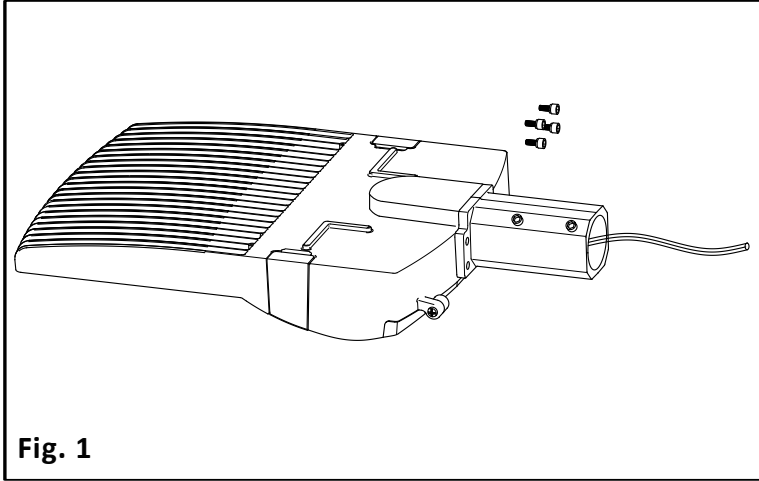
### 4. Tenon Adjustable pole Mount Arm (ATA)

o )  
o @ u 7  
o k  
" 7  
o k  
o = 7  
o @ 7  
o k 7  
o ‡  
7 o 0  
7 o V  
7 o 8  
o k



STRAIGHT TENON POLE MOUNT ARM (Caution: Before beginning installation turn off the circuit breaker and light switch)

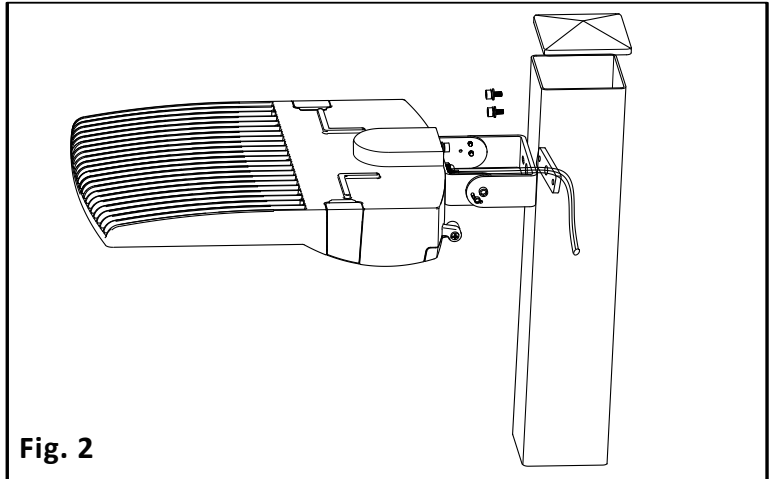
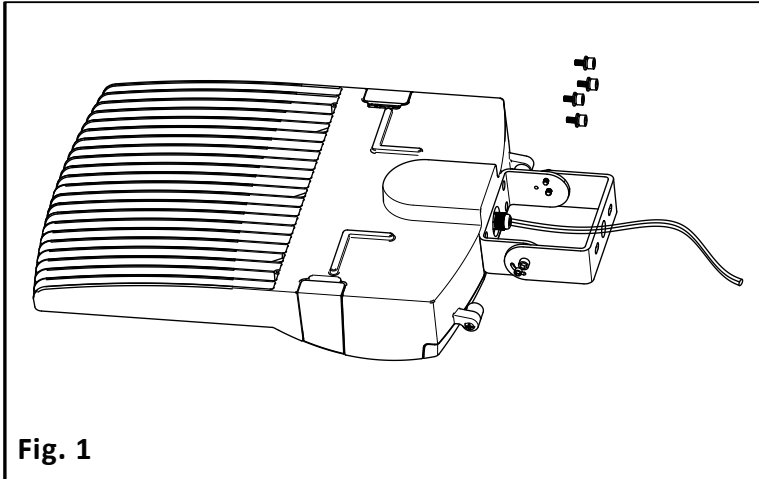
### 5. Straight Tenon pole Mount Arm (STA)



0 @ ou°

0 @ k

### 6. Trunnion bracket Pole (/Wall) Mount Arm (TRU)



0 @

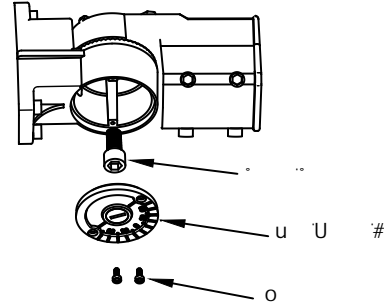
0 @ k

@/ou° 00° u@ V'U ° Vy ° 0

**PKA INSTALLATION** (Caution: Before beginning installation turn off the circuit breaker and light switch)

**Aim Adjustment Notice:**

- )
- O
- u
- o



**MAINTENANCE-DRIVER REPLACEMENT** (Caution: Before beginning installation turn off the circuit breaker and light switch)

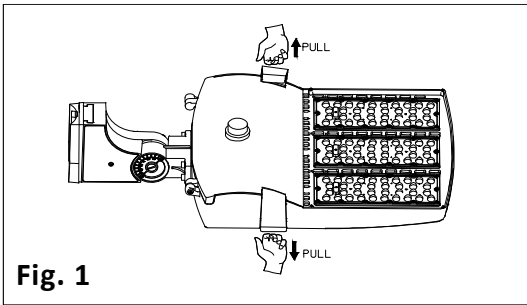


Fig. 1

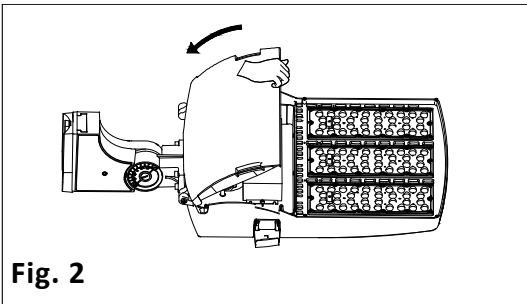


Fig. 2

Step 1 : Pull the metal latches and open the driver box cover

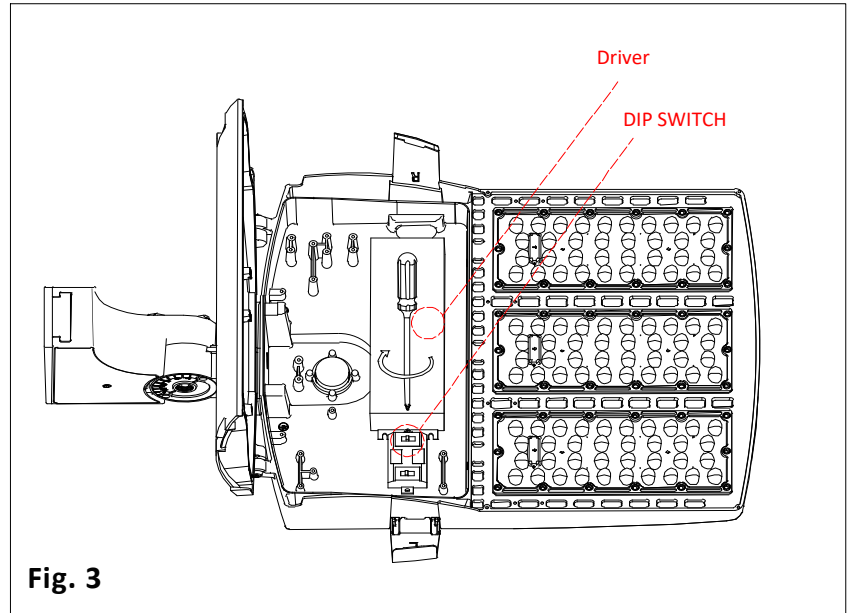
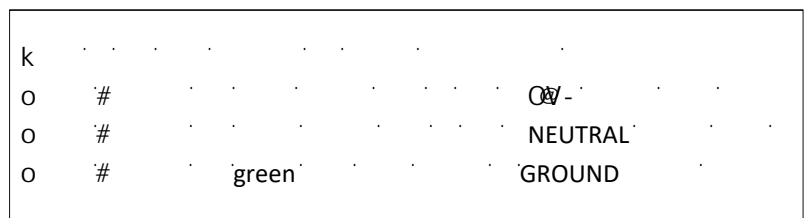
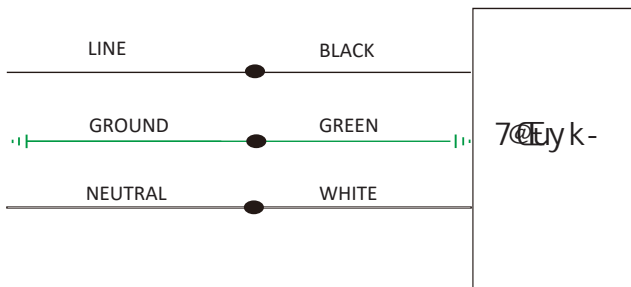


Fig. 3

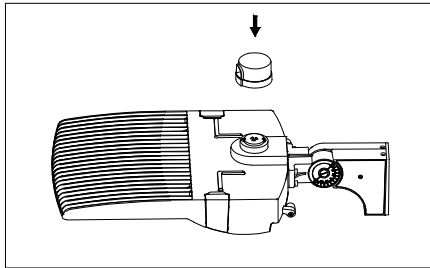
Step 2 : Disconnect the wires of driver. Remove the defective one and install the new & wire back. Close the driver box cover And fasten by pushing the metal latches.

**WIRING DIAGRAM** (Caution: Before beginning installation turn off the circuit breaker and light switch)

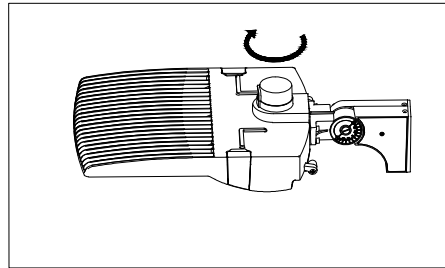


Other optional accessories installation Manual

**Photocell Installation** \*sold separately

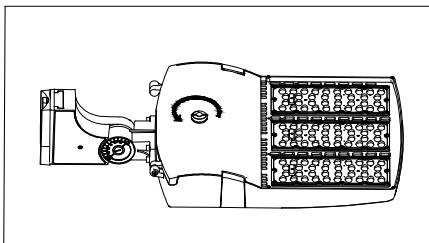


Step 1: Remove the shorting cap, and plug-in photocell.

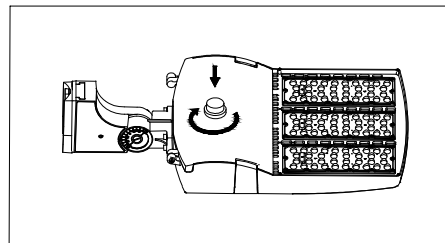


Step 2: Clockwise twist lock the photocell.

**Motion sensor installation** \*sold separately

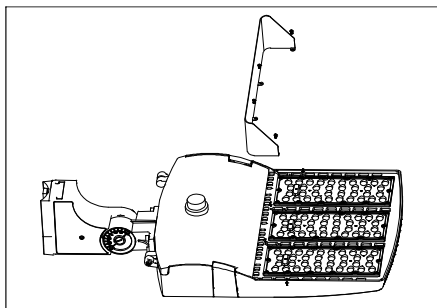


Step 1: Counter-clockwise twist to remove the receptacle cap

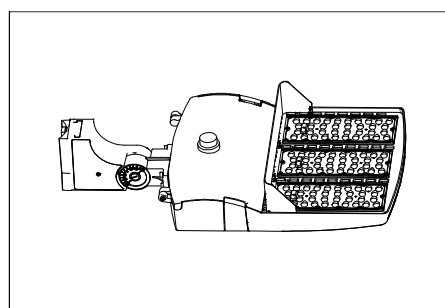


Step 2: Clockwise twist lock the Z10 sensor

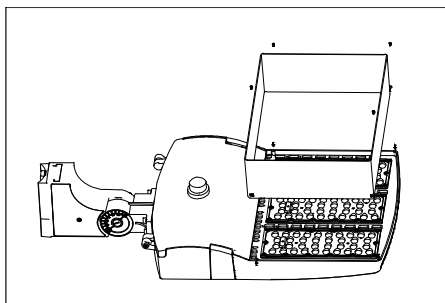
**HSS / FCS installation** \*sold separately



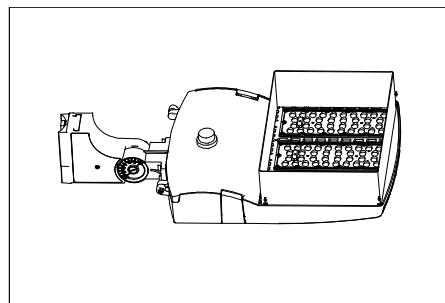
Step 1: Remove the four screws from fixture



Step 2: Align the screw holes of HSS with the holes of fixtures, then fasten the four screws



Step 1: Remove the four screws from fixture



Step 2: Align the screw holes of FCS with the holes of fixtures, then fasten the four screws