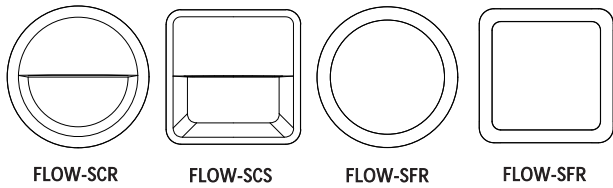


INSTALLATION MANUAL

PRODUCT PARAMETER	
INPUT VOLTAGE	120 - 277V
DISTRIBUTION	FULL ILLUMINATE / FULL CUTOFF
WORKING TEMP.	-40°F~122°F/32°F~122°F (For EM)



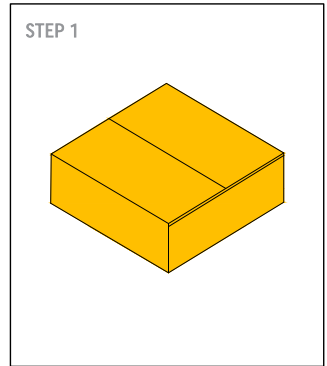
SAFETY INFORMATION

BE SURE THE POWER IS OFF! RISK OF ELECTRICAL SHOCK: Always use the switch to power off. Do not perform any operations while this unit is powered on. The electrical system you want to connect the device to must be grounded. Read the instructions before using or powering this device. The safety instructions must remain with the unit in case of transfer. Any damage to the device linked to an inappropriate use is excluded from support by the warranty. Before connecting, make sure that the current and voltage are compatible with this device. We highly recommend that all installations are made by QUALIFIED ELECTRICIAN. We are NOT responsible for any means for the use or misuse of the following information. We are NOT responsible in whole or part for any harm or damage that may or may not be caused. We reserve the right to revise the components of any product, due to part availability or change ETL, CUL, UL standards without assuming any obligation or liability to modify any products previously manufactured and without notice. These instructions do not cover all details of variations in equipment, nor do they provide every possible contingency to be met. Turn off / unplug power when installing or service device.

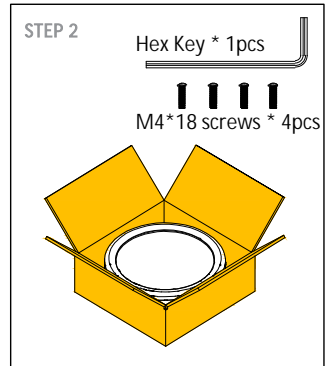
PRE - INSTALLATION

- Read carefully before installing fixture. Retain for future reference.
- Failure to follow instructions may result in serious injury or death
- Upon receipt the fixture, thoroughly inspect for any freight damage which should be brought to the attention of the delivery carrier. Compare the catalog description listed on the package slip with the fixture label on the housing to assure you have received material.
- This fixture must be wired in accordance with the international electrical code and applicable local codes and ordinances. Proper grounding is required to insure personal safety. Carefully observe the correct grounding procedure under installation section.

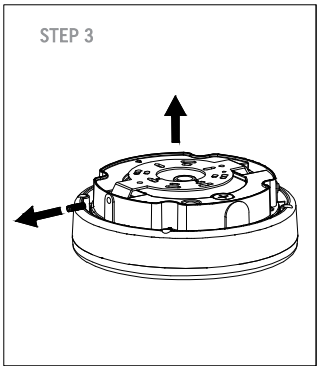
SURFACE MOUNT INSTALLATION (Caution: Before beginning installation turn off the circuit breaker and light switch)



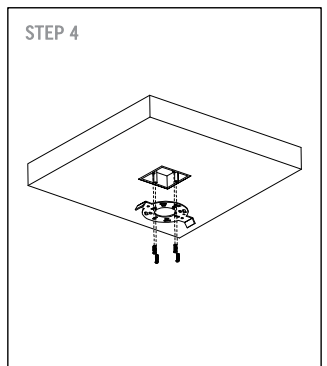
Inspect the packaging.



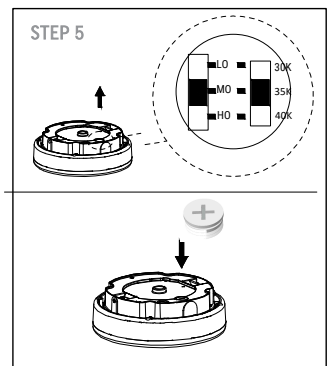
Open the package & check included accessories.



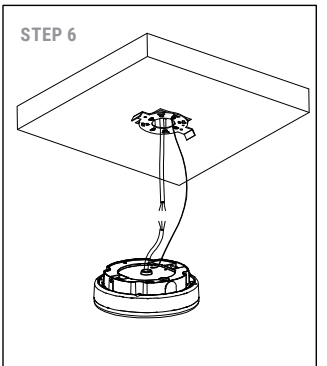
Remove the set of (2) screws and detach the mounting plate.



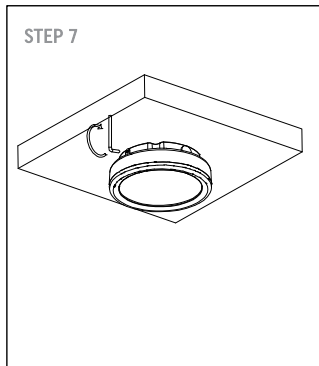
Install the mounting plate to a 4" octagon or square J-box.



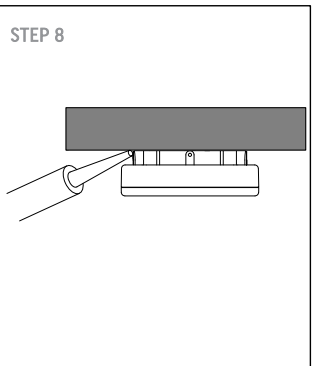
Remove 1/2" threaded hole plug in the back in order to set the desired lumen and CCT (Default: high output / 4000K).



Install the aircraft cable then connect wires based on wiring diagram (page 3).



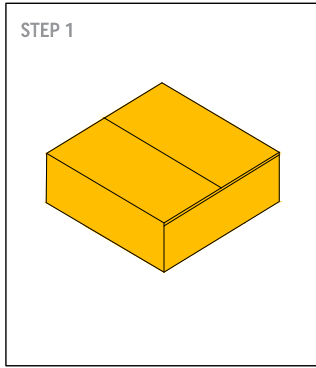
Align and attach the back of the fixture with the mounting plate and fix the fixture using the set of (2) screws.



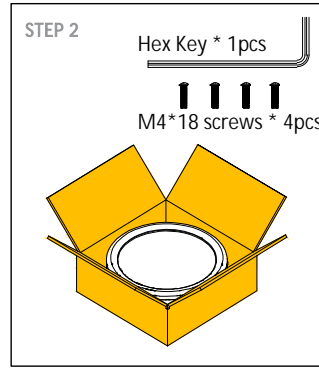
Apply enough silicone in between the fixture and the mounting surface to ensure a proper sealing.

INSTALLATION MANUAL

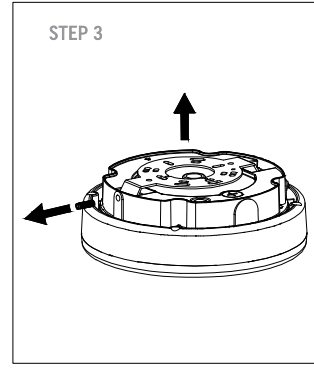
WALL MOUNT INSTALLATION (Caution: Before beginning installation turn off the circuit breaker and light switch)



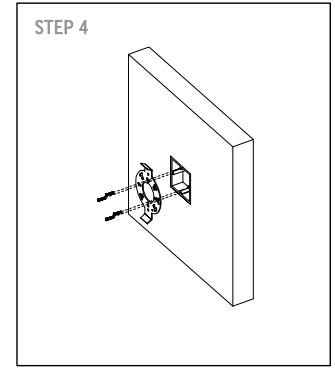
Inspect the packaging



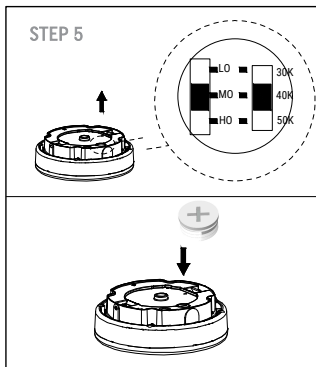
Open the package & check included accessories



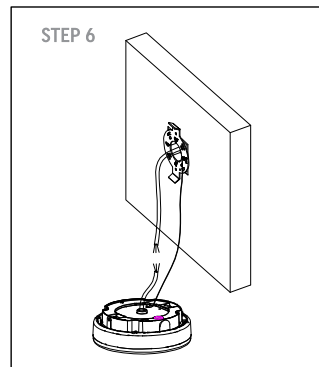
Remove the set of (2) screws and detach the mounting plate



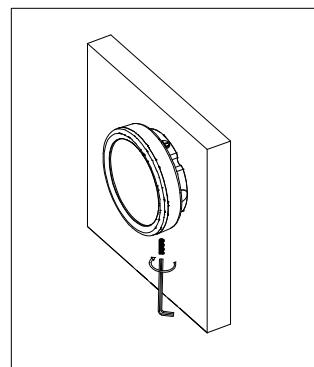
Install the mounting plate to a 4" octagon or square J-box



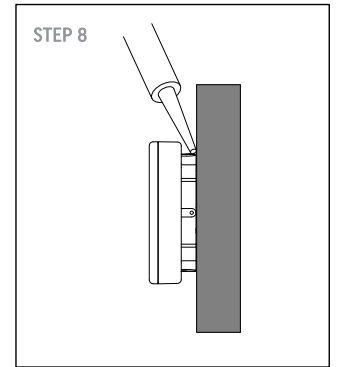
Remove 1/2" threaded hole plug in the back in order to set the desired lumen and CCT (Default: high output / 4000K)



Install the aircraft cable then connect wires based on wiring diagram (page 3)

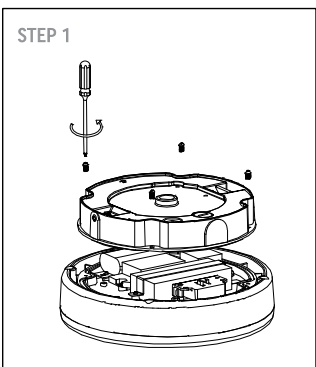


Fasten the screws to the mounting plate

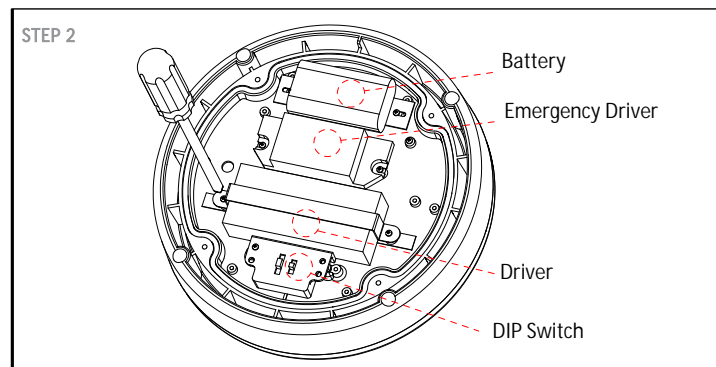


Apply enough silicone in between the fixture and the mounting surface to ensure a proper sealing.

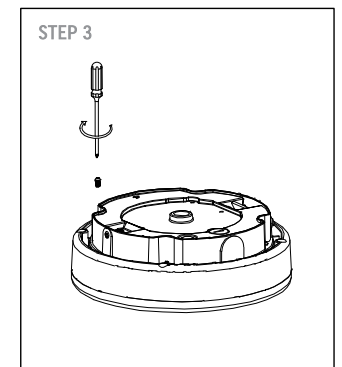
MAINTENANCE-REPLACE DRIVER (Caution: Before beginning replacement turn off the circuit breaker and light switch)



Unscrew the four screws of fixture



Unscrew the fixed metal strip and replace with new driver following the same wiring

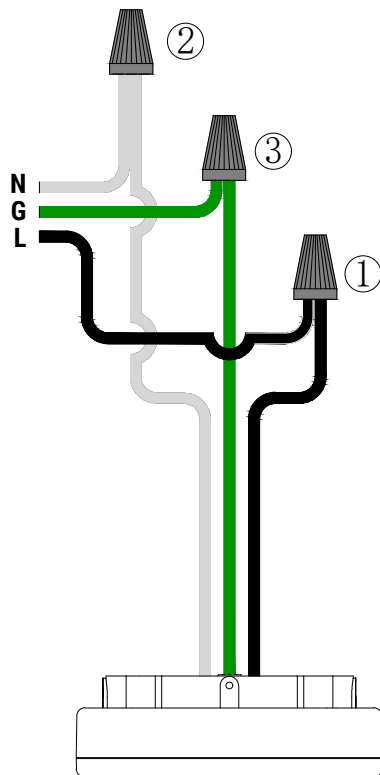


Fasten the four screws

INSTALLATION MANUAL

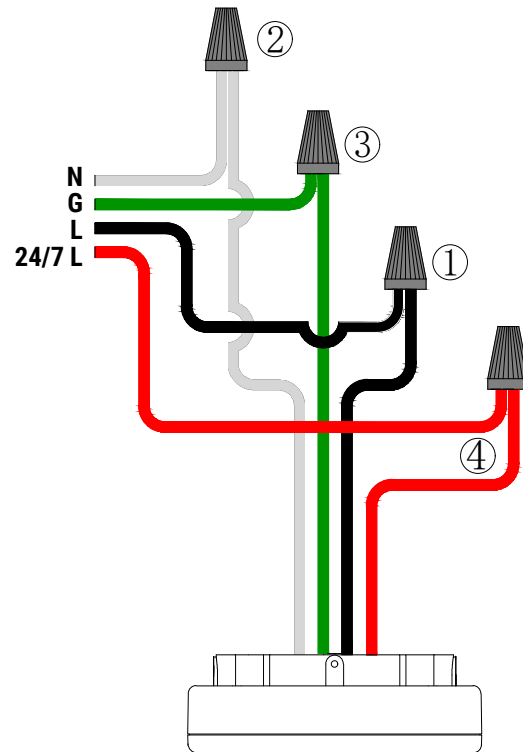
WIRING DIAGRAM (Caution: Before beginning installation turn off the circuit breaker and light switch)

NOTE: Standard 3 wires or 4 wires (w/factory installed emergency driver) connection.
For 0-10V dimming need to change to 5 wires or 6 wire (w/factory installed emergency driver) 18 gauge
cable cable.



Standard 3-wire Wiring

- ① Black connects to L with switch
- ② White connects to N
- ③ Green to ground \oplus



EM 4-wire Wiring

- ① Black connects to L with switch
- ② White connects to N
- ③ Green to ground \oplus
- ④ Red connects to 24/7 HOURS L