

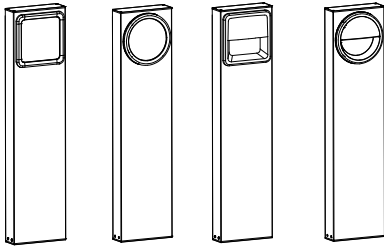
# FLOW BOLLARD

## ARCHITECTURAL FLOW BOLLARD

### INSTALLATION MANUAL

#### PRODUCT PARAMETER

|                      |                                 |
|----------------------|---------------------------------|
| <b>INPUT VOLTAGE</b> | 120 - 277V                      |
| <b>DISTRIBUTION</b>  | FULL ILLUMINATE / FULL CUTOFF   |
| <b>WORKING TEMP.</b> | -40°F~122°F/32°F~122°F (For EM) |



#### SAFETY INFORMATION

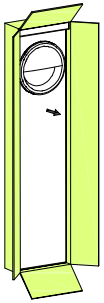
**BE SURE THE POWER IS OFF! RISK OF ELECTRICAL SHOCK:** Always use the switch to power off. Do not perform any operations while this unit is powered on. The electrical system you want to connect the device to must be grounded. Read the instructions before using or powering this device. The safety instructions must remain with the unit in case of transfer. Any damage to the device linked to an inappropriate use is excluded from support by the warranty. Before connecting, make sure that the current and voltage are compatible with this device. We highly recommend that all installations are made by QUALIFIED ELECTRICIAN. We are NOT responsible by any means for the use or misuse of the following information. We are NOT responsible in whole or part for any harm or damage that may or may not be caused. We reserve the right to revise the components of any product, due to part availability or change ETL, CUL, UL standards without assuming any obligation or liability to modify any products previously manufactured and without notice. These instructions do not cover all details of variations in equipment, nor do they provide every possible contingency to be met. Turn off / unplug power when installing or service device.

#### PRE - INSTALLATION

- Read carefully before installing fixture. Retain for future reference.
- Failure to follow instructions may result in serious injury or death
- Upon receipt the fixture, thoroughly inspect for any freight damage which should be brought to the attention of the delivery carrier. Compare the catalog description listed on the package slip with the fixture label on the housing to assure you have received material.
- This fixture must be wired in accordance with the international electrical code and applicable local codes and ordinances. Proper grounding is required to insure personal safety. Carefully observe the correct grounding procedure under installation section.

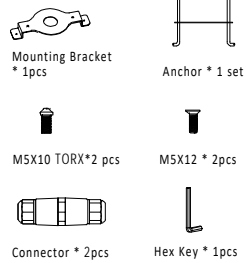
#### ANCHOR INSTALLATION (Caution: Before beginning installation turn off the circuit breaker and light switch)

##### STEP 1



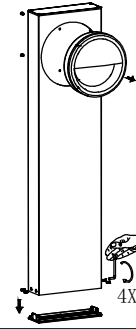
Inspect the package.

##### STEP 2



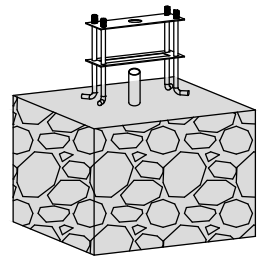
Checking the included accessories.

##### STEP 3



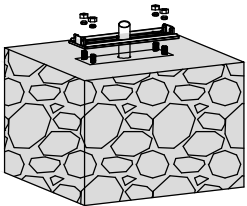
Loosen the bollard base

##### STEP 4



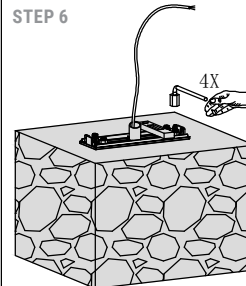
Building the four anchor bolts in concrete foundation using the base as template

##### STEP 5



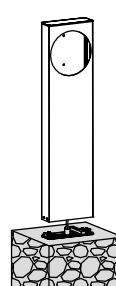
Level the base

##### STEP 6



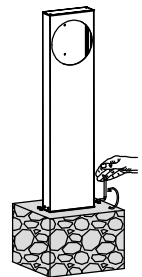
Fasten with provided washers and nuts

##### STEP 7



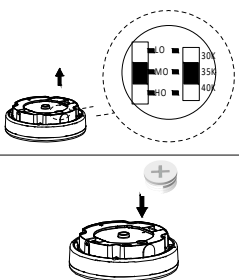
Lead the power cord out from the top and install the bollard onto base

##### STEP 8



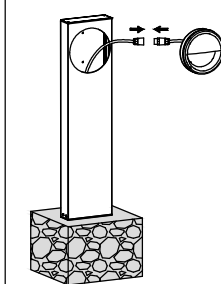
Fasten the luminaire housing

##### STEP 9



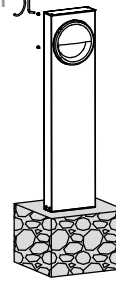
Select requested power and CCT

##### STEP 10



Change with the provided mounting bracket and wiring the fixture

##### STEP 11



Fasten the fixture to the bollard housing with Torx screw

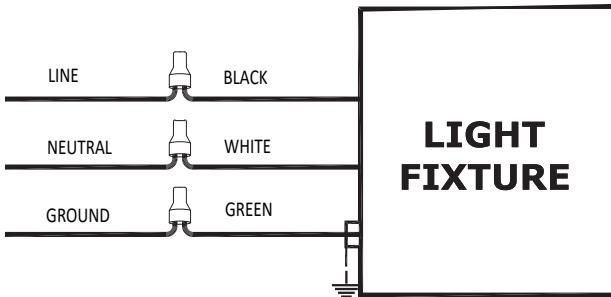
# FLOW BOLLARD

## ARCHITECTURAL FLOW BOLLARD

### INSTALLATION MANUAL

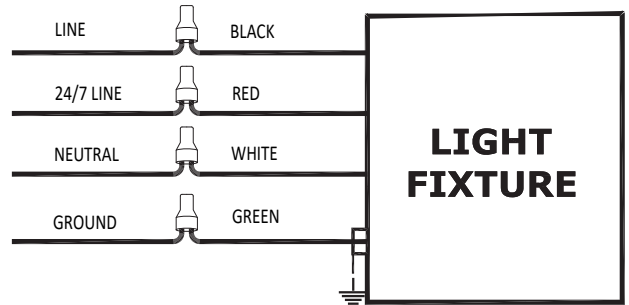
#### WIRING DIAGRAM (Caution: Before beginning installation turn off the circuit breaker and light switch)

##### A. Regular fixture Wiring



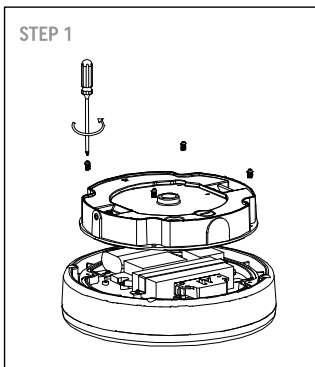
1. Connect the green wire to the ground
2. Connect the Black wire to the Line
3. Connect the White wire to the Neutral

##### B. With emergency battery fixture Wiring

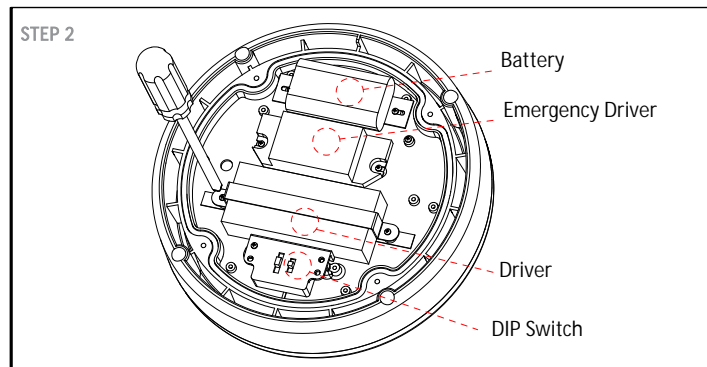


1. Connect the green wire to the Ground
2. Connect the red wire to 24/7 Line
3. Connect the Black wire to the Line
4. Connect the White wire to the Neutral

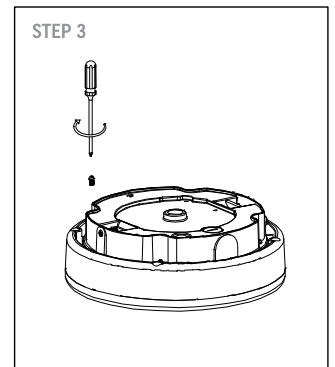
#### MAINTENANCE-REPLACE DRIVER (Caution: Before beginning replacement turn off the circuit breaker and light switch)



Unscrew the four screws of fixture



Unscrew the fixed metal strip and replace with new driver following the same wiring



Fasten the four screws

#### ANCHOR SIZE AND BASE DIMENSION (Caution: Before beginning installation turn off the circuit breaker and light switch)

