

# HIGH BAY SERIES

## HIGH BAY ROUND

### INSTALLATION MANUAL

#### PRODUCT PARAMETER

<b>INPUT VOLTAGE</b>	120-277V
<b>DIMMING</b>	0-10V
<b>MATERIAL</b>	HIGH GLOSS FINISH



#### PRE - INSTALLATION

- Carefully remove the fixture from the carton.
- Before beginning assembly, installation, or operation of product, make sure all parts are present. Compare parts with package contents list and diagram on previous page. If any part is missing or damaged, do not attempt to assemble, install or operate the product. Contact customer service for replacement parts.
- Tools required for assembly (Not Included): screwdriver, Phillips screwdriver, pliers, electrical tape, wire cutters, safety glasses, ladder, wire stripper.

#### SAFETY INFORMATION

**BE SURE THE POWER IS OFF! RISK OF ELECTRICAL SHOCK:** Always use the switch to power off. Do not perform any operations while this unit is powered on. The electrical system you want to connect the device to must be grounded. Read the instructions before using or powering this device. The safety instructions must remain with the unit in case of transfer. Any damage to the device linked to an inappropriate use is excluded from support by the warranty. Before connecting, make sure that the current and voltage are compatible with this device. We highly recommend that all installations are made by QUALIFIED ELECTRICIAN. We are NOT responsible by any means for the use or misuse of the following information. We are NOT responsible in whole or part for any harm or damage that may or may not be caused. We reserve the right to revise the components of any product, due to part availability or change ETL, CUL, UL standards without assuming any obligation or liability to modify any products previously manufactured and without notice. These instructions do not cover all details of variations in equipment, nor do they provide every possible contingency to be met. Turn off / unplug power when installing or service device.

#### WARNING

**WARNING:** Read all safety precautions and installation instructions carefully before installing or servicing this fixture. Failure to comply with these instructions could result in a potentially fatal electric shock, fire, and/or property damage.

#### FCC WARNING

**WARNING:** Changes or modifications to this unit not expressly approved by the party responsible for compliance could void the user authority to operate the equipment.

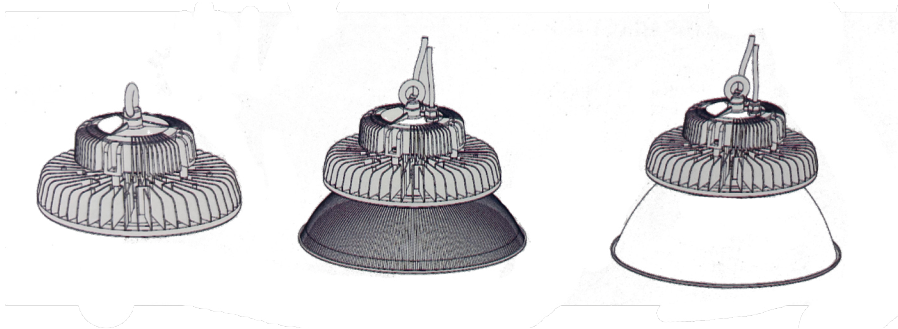
**NOTES:** This equipment has been tested and found to comply with the limits for a Class B digital device, pursuant to Part 15 of the FCC Rules. These limits are designed to provide reasonable protection against harmful interference in a residential installation. This equipment generates, uses and can radiate radio frequency energy and, if not installed and used in accordance with the instructions, may cause harmful interference to radio communications.

However, there is no guarantee that interference will not occur in a particular installation. If this equipment does cause harmful interference to radio or television reception, which can be determined by turning the equipment off and on, the user is encouraged to try to correct the interference by one or more of the following measures:

- Reorient or relocate the receiving antenna.
- Increase the separation between the equipment and receiver.
- Connect the equipment into an outlet on a circuit different from that to which the receiver is connected.
- Consult the dealer or an experienced radio/TV technician for help.

#### INSTALLATION (Caution: Before beginning installation turn off the circuit breaker and light switch)

#### PACKAGE CONTENTS



- (1) LED HIGH BAY FIXTURE
- (1) MOUNTING RING
- (1) INSTALLATION INSTRUCTIONS

# HIGH BAY SERIES

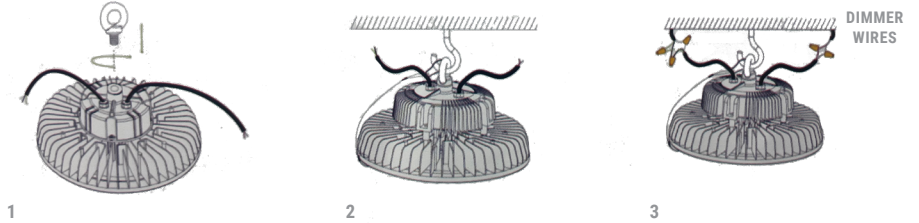
## HIGH BAY ROUND

### INSTALLATION MANUAL

#### FIXTURE INSTALLATION GUIDE (SUSPENDED)

##### STEPS

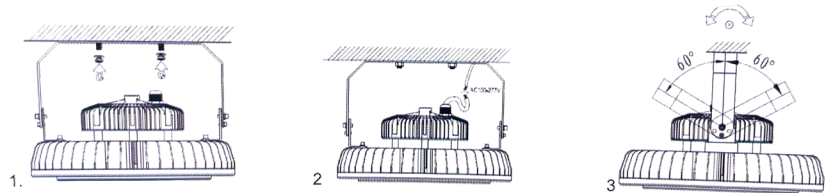
1. Screw the included Hanging Lamp clockwise into the hole at the top of the fixture and tighten.
2. Attach the Safety Cable from the fixture in the building.
3. Connect the Black (Live), White (neutral), and Green (Ground) wires to the corresponding building wires. For dimming, connect a 1-10V dimmer (by others) to the dimming wires of the fixture.



#### FIXTURE INSTALLATION GUIDE (SURFACE MOUNTED)

##### STEPS

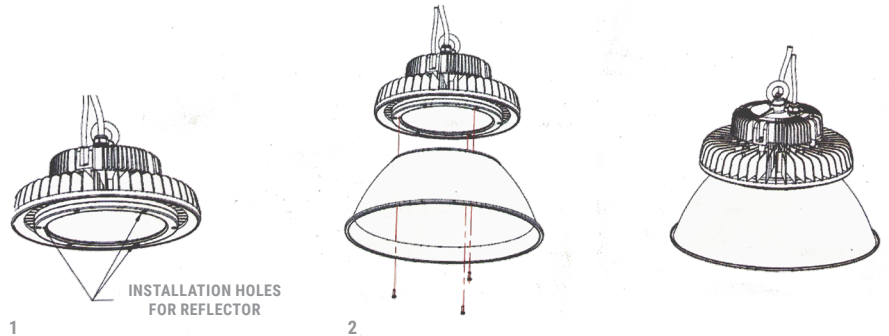
1. Attach mounting bracket to the fixture.
2. Connect the Black (Live), White (Neutral), and Green (Ground) wires to the corresponding building wires. For dimming, connect a 0-10V dimmer (by others) to the dimming wires of the fixture.
3. Adjust the bracket to the desired angle.



#### ALUMINUM REFLECTOR INSTALLATION GUIDE

##### STEPS

1. Align with the three remaining holes and securely screw the aluminum reflector on to the fixture.



#### PC REFLECTOR INSTALLATION GUIDE

##### STEPS

1. Remove (3) of the (6) screws securing the LED array cover – ensuring that only alternating screws are removed, in order to retain the structural integrity of the fixture.
2. Align and securely screw the polycarbonate reflector on to the fixture.
3. Attach the optional conical lens to the bottom of the reflector with the included clamp.

