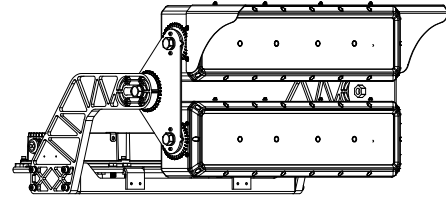


FSH-D

Floodlighting 1000W, 1200W, 1500W

Installation Manual

KEY TECHNICAL DATA	
STORAGE TEMP	40°F TO 167°F
OPERATING TEMP	-20°F TO 131°F
HUMIDITY	5% TO 95% NON-CONDENSING



SAFETY INFORMATION

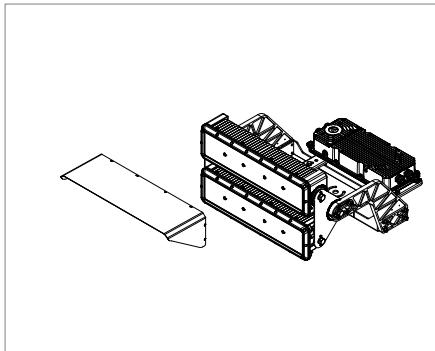
BE SURE THE POWER IS OFF! RISK OF ELECTRICAL SHOCK: Always use the switch to power off. The electrical system you want to connect the device to must be grounded. Read the instructions before using or powering this device. The safety instructions must remain with the unit in case of transfer. Any damage to the device linked to an inappropriate use is excluded from support by the warranty. Before connecting, make sure that the current and voltage are compatible with this device. We highly recommend that all installations are made by QUALIFIED ELECTRICIAN. We are NOT responsible by any means for the use or misuse of the following information. We are NOT responsible in whole or part for any harm or damage that may or may not be caused. We reserve the right to revise the components of any product, due to part availability or change ETL, CUL, UL standards without assuming any obligation or liability to modify any products previously manufactured and without notice. These instructions do not cover all details of variations in equipment, nor do they provide every possible contingency to be met. Turn off / unplug power when installing or service device.

PRE. INSTALLATION

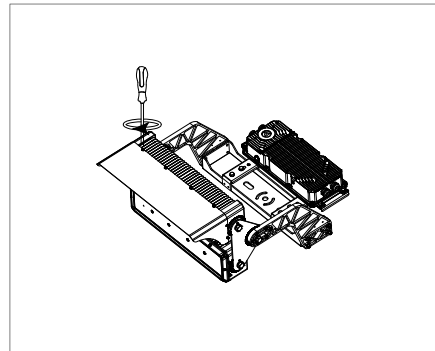
Carefully remove the fixture from the carton.
 Before beginning assembly, installation, or operation of product, make sure all parts are present. Compare parts with package contents list and diagram on previous page. If any part is missing or damaged, do not attempt to assemble, install or operate the product. Contact customer service for replacement parts.
 Tools required for assembly (Not Included): screwdriver, phillips screwdriver, pliers, electrical tape, wire cutters, safety glasses, ladder, wire stripper.

INSTALLATION

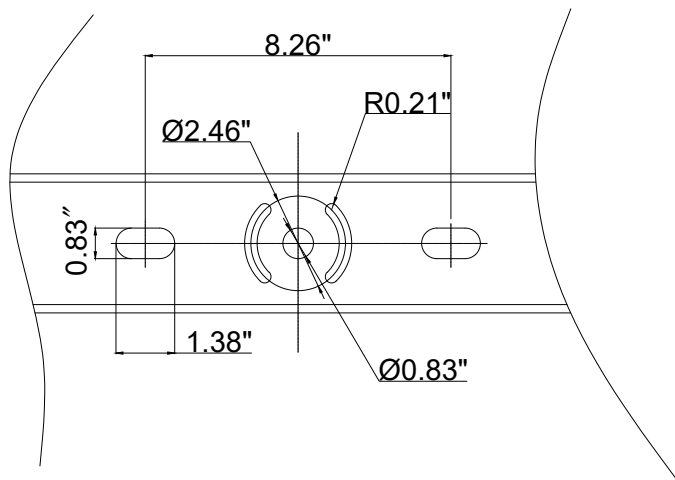
→Before beginning installation, turn off the circuit breaker



→STEP 1
Attach the visor onto the fixture body



→STEP 2
Use 8 pcs of M4*8MM screw to lock the visor on the lamp body



→MOUNT THE LUMINAIRES

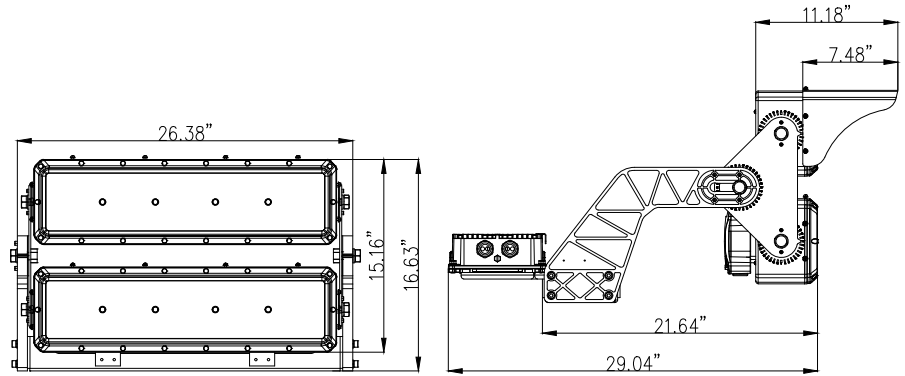
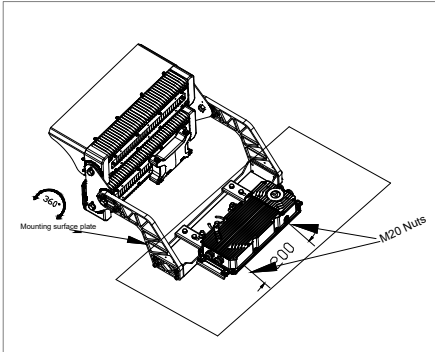
1. Insert M20 bolts and plain washers onto bracket
2. Align rotate-able bracket with mounting structure
3. Secure bracket, bolts, plain & lock washers with mounting structure
4. Tighten the nuts hand tight so mounting structure is secure but do not fully torque nuts until desired aiming is achieved

FSH-D

Floodlighting 1000W, 1200W, 1500W

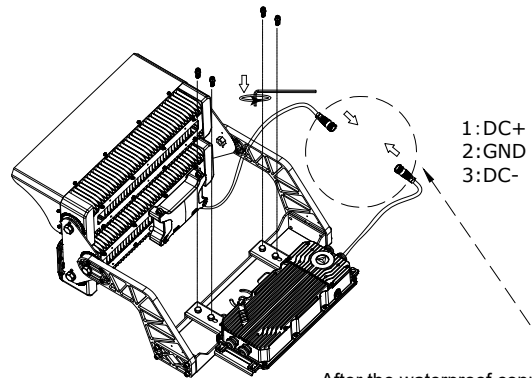
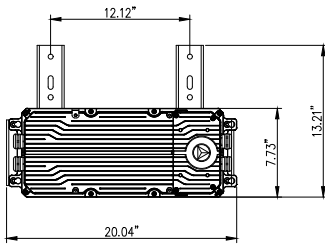
Installation Manual

TRUNNION



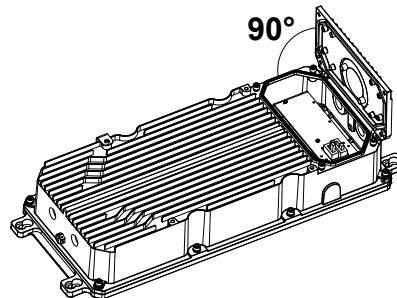
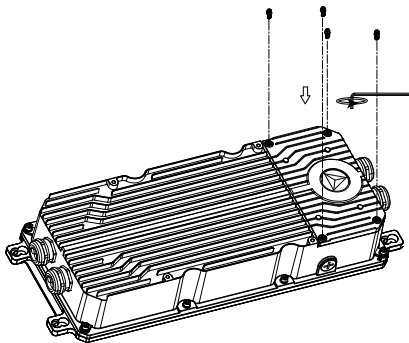
→STEP 1 Put the fixture on the install stand

→STEP 2 Secure the fixture with a single M20, M8 is optional



Remove the 4pcs M8 screws and remove the driver box. After installation, connect the DC of the power box to the DC of the lamp

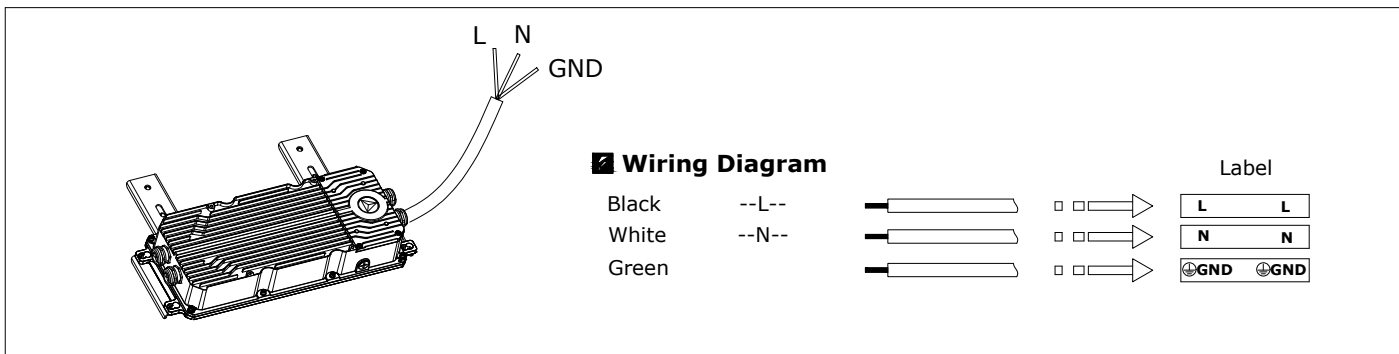
After the waterproof connectors here are plugged in, the power supply and LED can be connected.



FSH-D

Floodlighting 1000W, 1200W, 1500W

Installation Manual



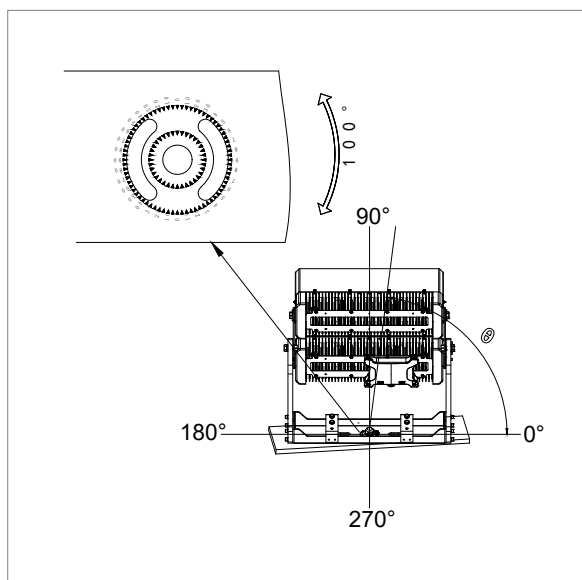
AIM THE LUMINAIRES

Aiming the luminaire is a critical part of the led lighting solution to ensure that light is evenly distributed on the playing surface. There are two basic methods to properly aim a sports venue - Precision Laser Aiming by Coordinated, and Orient-Tilt.

ORIENT-TILT

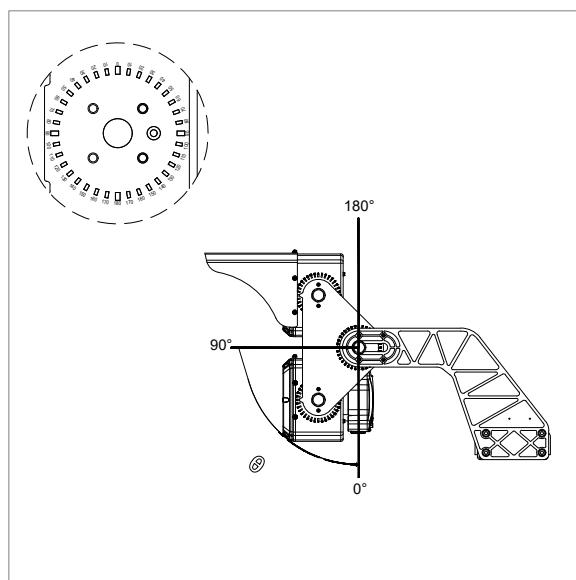
This technique involved turning the luminaire to predetermined angles before the lighting pole is lifted up and set in place. The Orient angle refers to the direction the luminaire faces in the Z-plane. Mount the luminaire to the structure but leave the mounting nut slightly loose to allow spinning flexibility about the mounting bolt.

Tilt angle refers to the direction the luminaire faces in the Y-plane. When the luminaire is securely mounted to the structure so that the mounting bracket does not move but the side Hex and Set screws are loosened, the fixture may rotate up inside the mounting bracket. Set the luminaire Tilt angle by rotating the fixture relative to the luminaire mounting structure.



→ORIENTATION

Orientation is a vector in the z-plane looking down from the top of the luminaire



→TILT

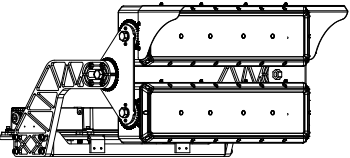


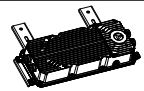









Tilt is a vector in the y-plan from the hex bolt that is parallel with the top visor

FSH-D

Floodlighting 1000W, 1200W,1500W

Installation Manual

Accessories Included

1000W,1200W,1500W	Mounting Type	Accessory	Quantity
		Visor	1
		safety rope	1
		driver	1
		M8*20 screws	4
		3/4-10 (M20) screws	1
		3/4-10 nut	1
		M20 Spring Washer	2
		M20 flat washer	2
		5/16-10 (M8) screws	1
		5/16-10 nut	1
		M8 Spring Washer	2
		M8 flat washer	2

Electrical Load

System Wattage(W)	Current (A)					
	120V	208V	240V	277V	247V	480V
1000	8.33	4.81	4.17	3.61	4.05	2.08
1200	10	5.77	5	4.33	4.86	2.5
1500	12.5	7.21	6.25	5.41	6.07	3.1

EPA Rating Information (ft²)

Wattage (W)	Front	Side	Top
1000/1200/1500	3.29	0.75	1.71

FSH-D

Floodlighting 1000W, 1200W, 1500W

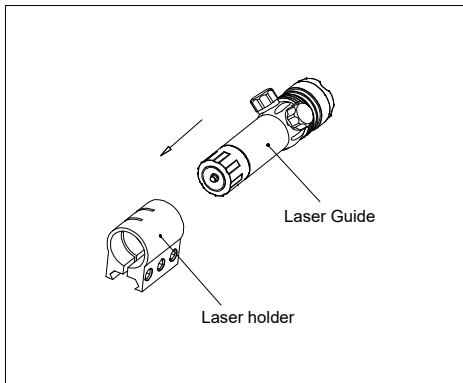
Installation Manual

LASER AIMING

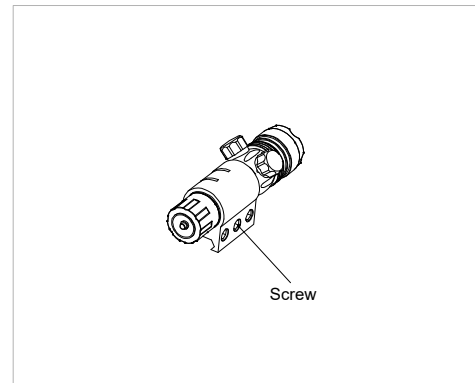
Precision Laser Aiming by Coordinates:

Laser aiming is the most effective and preferred technique for aiming ASA-L Installation Instructions This method uses a laser mounted to the luminaire to point the fixture at a predetermined point on the playing surface using (X,Y) coordinates. Unless otherwise noted, aiming coordinates on ASA-L Installation Instructions drawings are based on the origin (0,0,0) placed at center field, court, or ice. All dimensions from that point are in feet along the playing surface unless otherwise noted.

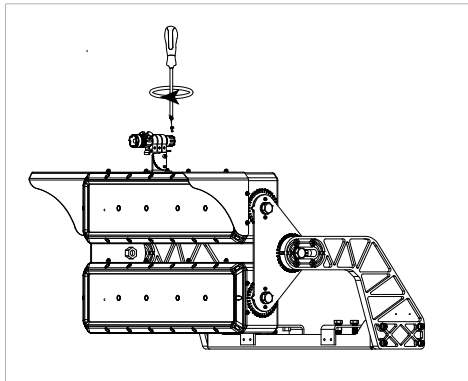
NEVER point the aiming laser at any person or animal as it can cause permanent damage to eyes. Use laser only for floor aiming fixtures as directed. FAILURE TO FOLLOW THIS WARNING MAY LEAD TO SEVERE INJURY.



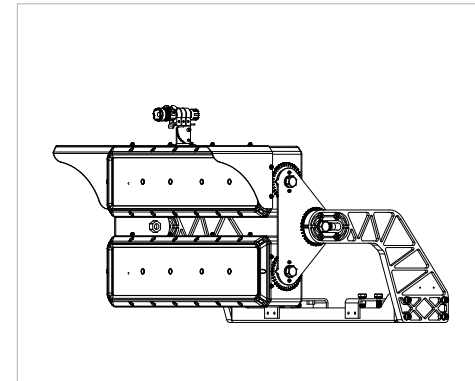
→STEP 1
Affix the laser guide into the laser holder



→STEP 2
Tighten the middle screw on the holder



→STEP 1
Affix the laser guide into the laser holder



→STEP 2
Tighten the middle screw on the holder