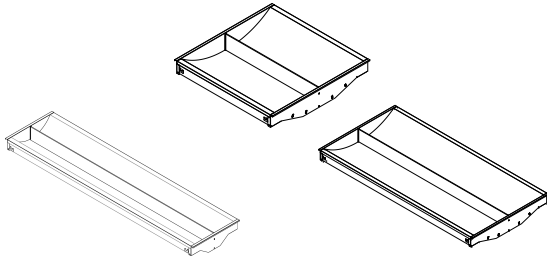


# INSTALLATION MANUAL

## PRODUCT PARAMETER

<b>INPUT VOLTAGE</b>	120 - 277V
<b>DIMENSION</b>	1'X4'/2'X2' /2'X4
<b>WORKING TEMP.</b>	-5°F~104°F/32°F~104°F (For EM)



## SAFETY INFORMATION

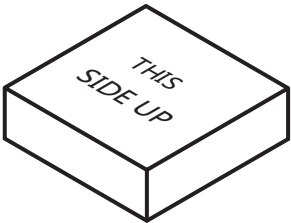
**BE SURE THE POWER IS OFF! RISK OF ELECTRICAL SHOCK:** Always use the switch to power off. Do not perform any operations while this unit is powered on. The electrical system you want to connect the device to must be grounded. Read the instructions before using or powering this device. The safety instructions must remain with the unit in case of transfer. Any damage to the device linked to an inappropriate use is excluded from support by the warranty. Before connecting, make sure that the current and voltage are compatible with this device. We highly recommend that all installations are made by QUALIFIED ELECTRICIAN. We are NOT responsible by any means for the use or misuse of the following information. We are NOT responsible in whole or part for any harm or damage that may or may not be caused. We reserve the right to revise the components of any product, due to part availability or change ETL, CUL, UL standards without assuming any obligation or liability to modify any products previously manufactured and without notice. These instructions do not cover all details of variations in equipment, nor do they provide every possible contingency to be met. Turn off / unplug power when installing or service device.

## PRE - INSTALLATION

- Read carefully before installing fixture. Retain for future reference.
- Failure to follow instructions may result in serious injury or death
- Upon receipt the fixture, thoroughly inspect for any freight damage which should be brought to the attention of the delivery carrier. Compare the catalog description listed on the package slip with the fixture label on the housing to assure you have received material.
- This fixture must be wired in accordance with the international electrical code and applicable local codes and ordinances. Proper grounding is required to insure personal safety. Carefully observe the correct grounding procedure under installation section.

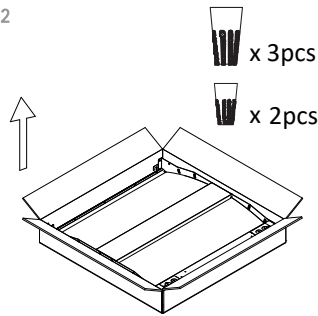
## INSTALLATION (Caution: Before beginning installation turn off the circuit breaker and light switch)

STEP 1



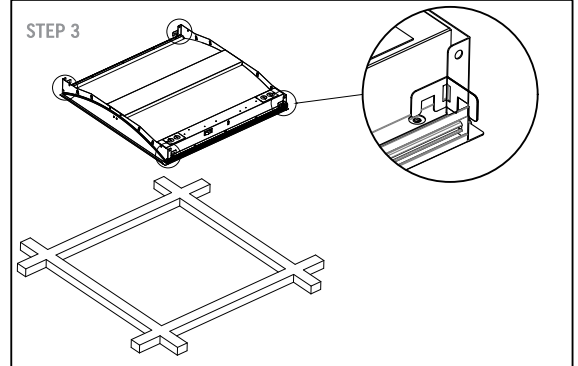
Inspect the packaging.

STEP 2



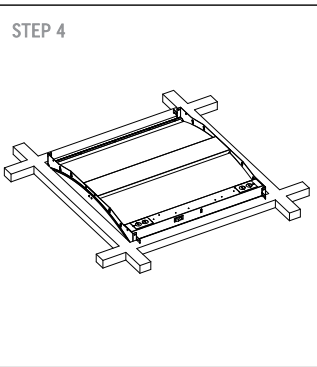
Open the package & check included accessories.

STEP 3



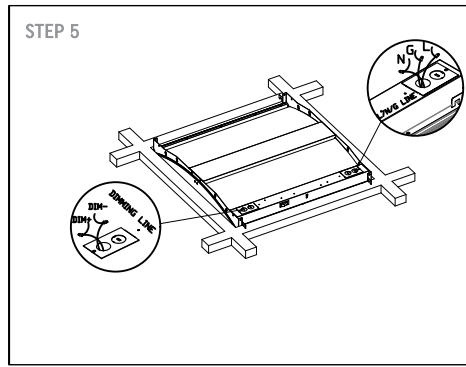
Gently rotate fixture housing and angle into the ceiling grid. Bend tabs as shown in detail.

STEP 4

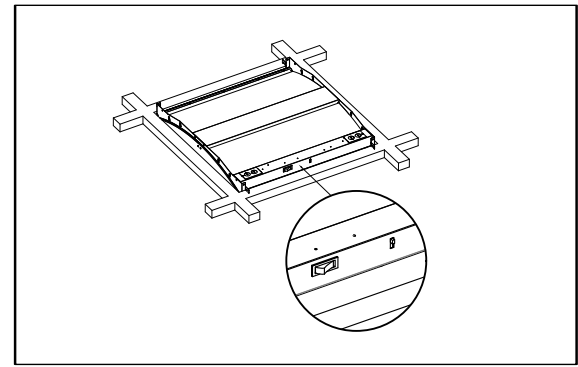


Fold two tabs to 90 degree and align with two sides of grid. Ensure all fixtures are oriented in the the same direction

STEP 5



Remove knock-out of wire access plate. Connect power feed to the leads provided in accordance with national and local building and electrical codes (DETAIL ).  
Notice:  
1.The outlet board labeled with DIMMING LINE is the dimming terminal.  
2.The outlet board labeled with AC LINE is the AC power input line terminal .



Chematic of switch

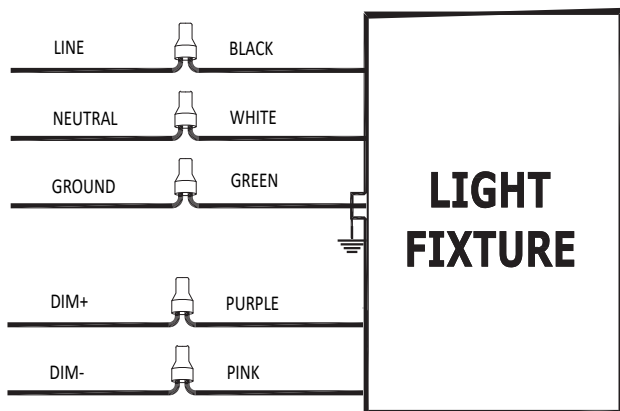
# EDGE

## Direct vertical lit architectural troffer

### INSTALLATION MANUAL

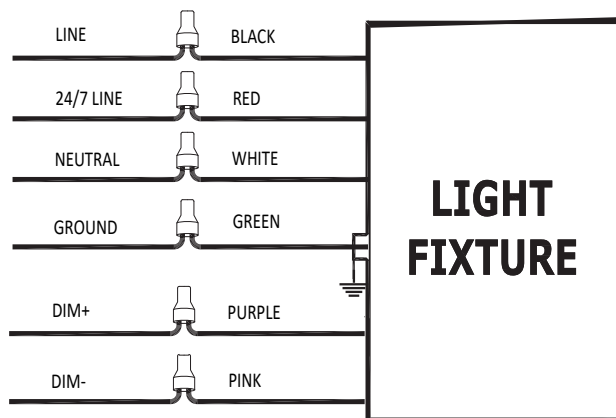
**WIRING DIAGRAM** (Caution: Before beginning installation turn off the circuit breaker and light switch)

#### A. Regular fixture Wiring



1. Connect the green wire to the ground
2. Connect the Black wire to the Line
3. Connect the White wire to the Neutral
4. Connect the purple wire to DIM +
5. Connect the pink wire to DIM -

#### B. With emergency battery fixture Wiring



1. Connect the green wire to the Ground
2. Connect the red wire to 24/7 Line
3. Connect the Black wire to the Line
4. Connect the White wire to the Neutral
5. Connect the purple wire to DIM +
6. Connect the pink wire to DIM -