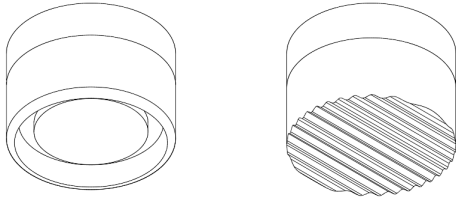


INSTALLATION MANUAL

PRODUCT PARAMETER

INPUT VOLTAGE	120Vac
DISTRIBUTION	FULL ILLUMINATE
WORKING TEMP.	-4°F~104°F



SAFETY INFORMATION

BE SURE THE POWER IS OFF! RISK OF ELECTRICAL SHOCK: Always use the switch to power off. Do not perform any operations while this unit is powered on. The electrical system you want to connect the device to must be grounded. Read the instructions before using or powering this device. The safety instructions must remain with the unit in case of transfer. Any damage to the device linked to an inappropriate use is excluded from support by the warranty. Before connecting, make sure that the current and voltage are compatible with this device. We highly recommend that all installations are made by QUALIFIED ELECTRICIAN. We are NOT responsible by any means for the use or misuse of the following information. We are NOT responsible in whole or part for any harm or damage that may or may not be caused. We reserve the right to revise the components of any product, due to part availability or change ETL, CUL, UL standards without assuming any obligation or liability to modify any products previously manufactured and without notice. These instructions do not cover all details of variations in equipment, nor do they provide every possible contingency to be met. Turn off / unplug power when installing or service device.

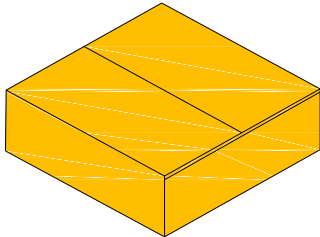
PRE - INSTALLATION

- Read carefully before installing fixture. Retain for future reference.
- Failure to follow instructions may result in serious injury or death
- Upon receipt the fixture, thoroughly inspect for any freight damage which should be brought to the attention of the delivery carrier. Compare the catalog description listed on the package slip with the fixture label on the housing to assure you have received material.
- This fixture must be wired in accordance with the international electrical code and applicable local codes and ordinances. Proper grounding is required to insure personal safety. Carefully observe the correct grounding procedure under installation section.

SURFACE/WALL INSTALLATION (Caution beginning installation turn off the circuit breaker and light switch)

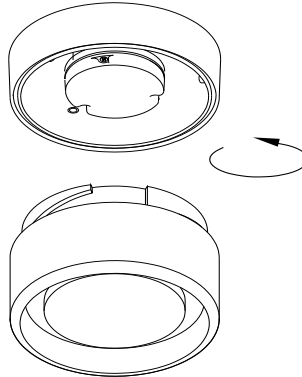
Notice: Compatible boxes include 4" metal or plastic octagonal standard and IC1JB junction box housing (3.5" junction box screw-hole spacing required for installation)

STEP 1



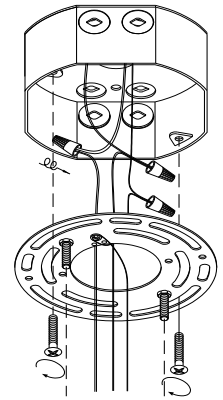
Inspect the packaging.

STEP 2



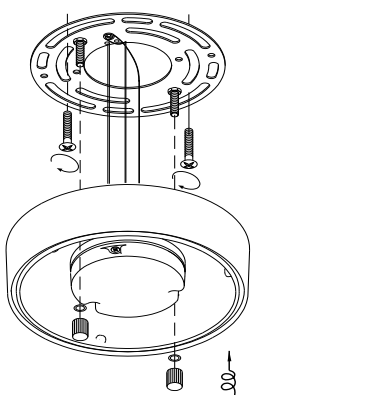
Take out the fixture and Counterclockwise to remove the glass diffuser

STEP 3



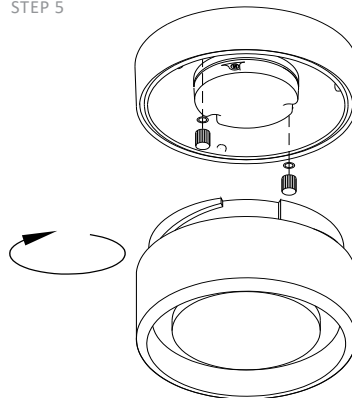
Remove the mounting plate from LED engine module. Lead engine cables through the plate and wire them to power feeds.

STEP 4



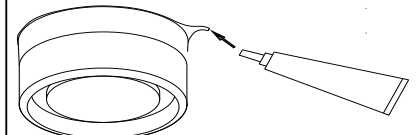
Install the mounting plate to the 4" octagon J-box. And fasten the LED engine module to the plate with provided nuts

STEP 5



Clockwise twisting the glass diffuser into LED engine module. Assembling till fixture is secured.

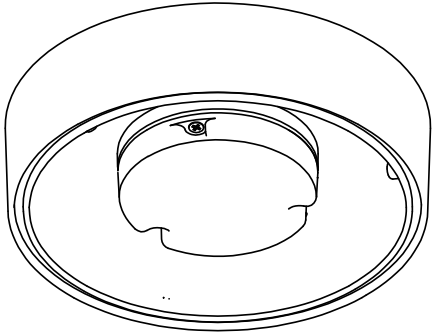
STEP 6



Apply weatherproof silicone around the edge of LED module assembly.

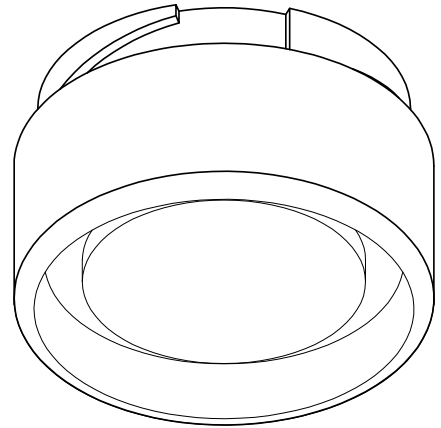
INSTALLATION MANUAL

SURFACE/WALL INSTALLATION (Caution beginning installation turn off the circuit breaker and light switch)



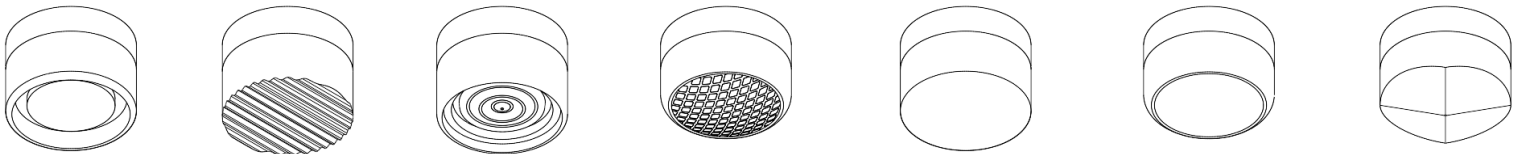
LED ENGINE MODULE

Base finish options in White, Black, Gold and Chrome

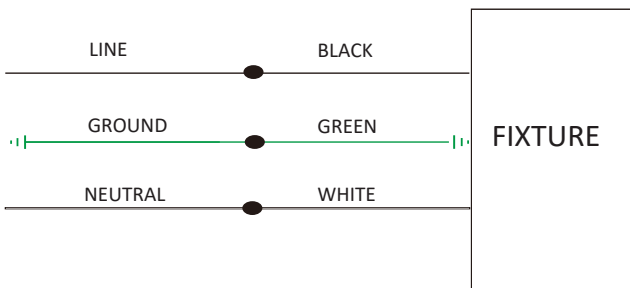


LED GLASS DIFFUSER

7 standard glass types as following:



WIRING DIAGRAM (Caution: Before beginning replacement turn off the circuit breaker and light switch)



Refer to the wire diagram for power connections. Step1: Connect the black fixture lead to the (+)LINE supply lead. Step2: Connect the white fixture lead to the (-)NEUTRAL supply lead. Step3: Connect the green wire from fixture to GROUND supply lead.