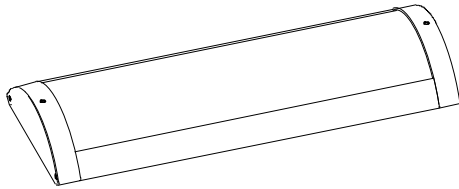


INSTALLATION MANUAL

PRODUCT PARAMETER	
INPUT VOLTAGE	120 - 277V
DISTRIBUTION	FULL ILLUMINATE
WORKING TEMP.	-20F ~ 122F



SAFETY INFORMATION

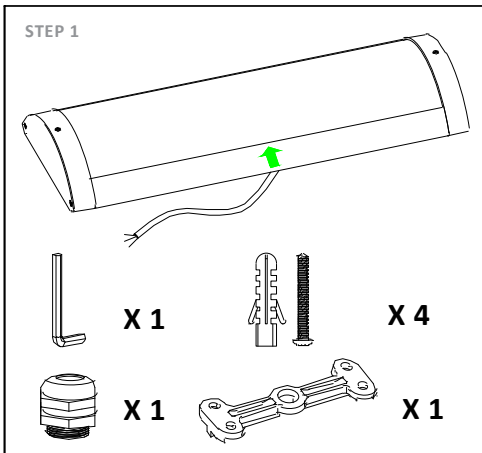
BE SURE THE POWER IS OFF! RISK OF ELECTRICAL SHOCK: Always use the switch to power off. Do not perform any operations while this unit is powered on. The electrical system you want to connect the device to must be grounded. Read the instructions before using or powering this device. The safety instructions must remain with the unit in case of transfer. Any damage to the device linked to an inappropriate use is excluded from support by the warranty. Before connecting, make sure that the current and voltage are compatible with this device. We highly recommend that all installations are made by QUALIFIED ELECTRICIAN. We are NOT responsible by any means for the use or misuse of the following information. We are NOT responsible in whole or part for any harm or damage that may or may not be caused. We reserve the right to revise the components of any product, due to part availability or change ETL, CUL, UL standards without assuming any obligation or liability to modify any products previously manufactured and without notice. These instructions do not cover all details of variations in equipment, nor do they provide every possible contingency to be met. Turn off / unplug power when installing or service device.

PRE - INSTALLATION

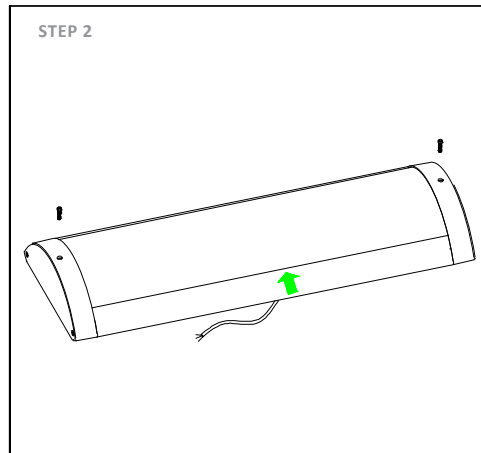
- Read carefully before installing fixture. Retain for future reference.
- Failure to follow instructions may result in serious injury or death
- Upon receipt the fixture, thoroughly inspect for any freight damage which should be brought to the attention of the delivery carrier. Compare the catalog description listed on the package slip with the fixture label on the housing to assure you have received material.
- This fixture must be wired in accordance with the international electrical code and applicable local codes and ordinances. Proper grounding is required to insure personal safety. Carefully observe the correct grounding procedure under installation section.

SURFACE MOUNT INSTALLATION (Caution: Before beginning installation turn off the circuit breaker and light switch)

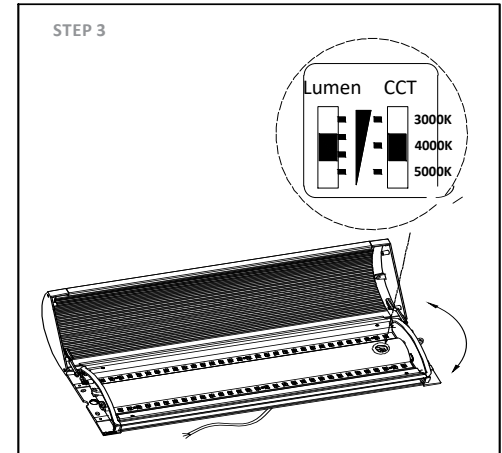
Surface mount A - Single fixture



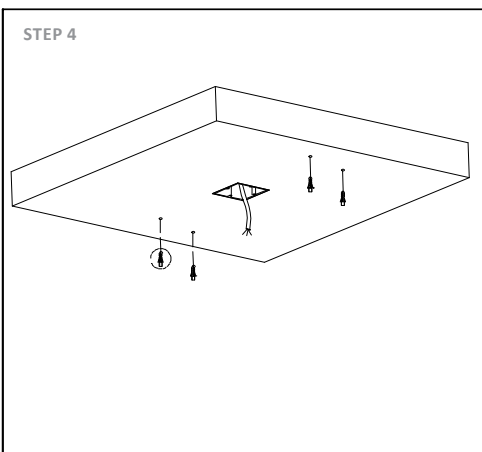
Open package to inspect fixture and accessories



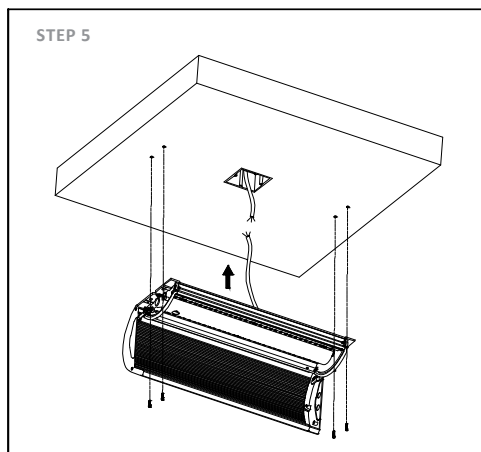
Remove the 2pcs screws from fixture and open from the arrow marked side



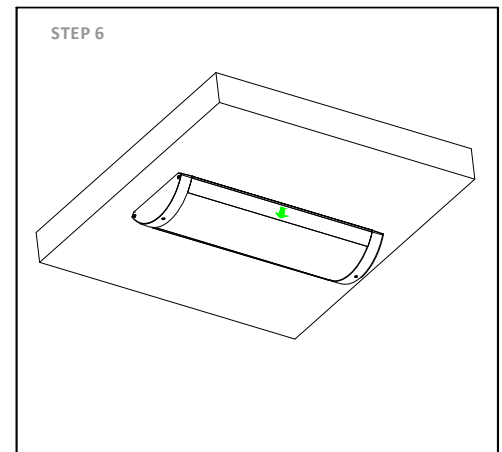
Select to the desired lumen output and color temperature



Position and drill the four screw holes, insert the plastic anchors



Connect the fixture power cord to lead as per wiring diagram in the page 3

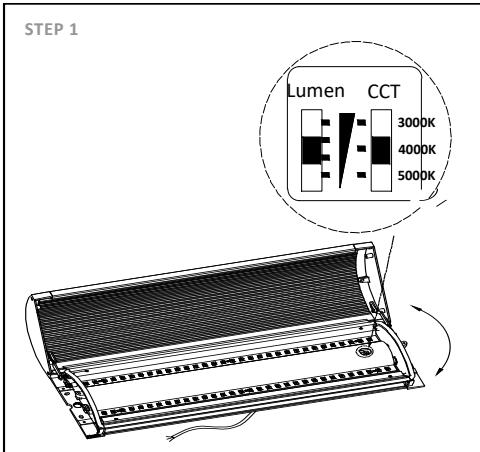


Fixture is surface mounted

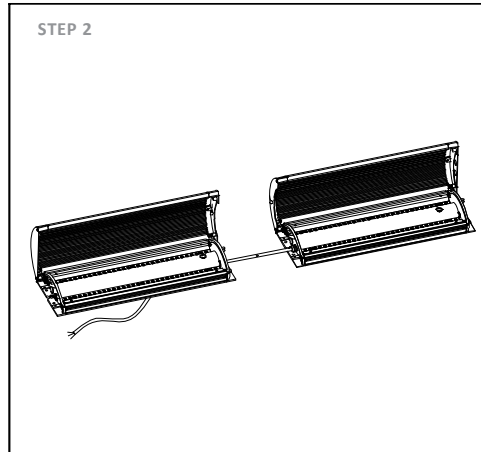
INSTALLATION MANUAL

WALL MOUNT INSTALLATION (Caution: Before beginning installation turn off the circuit breaker and light switch)

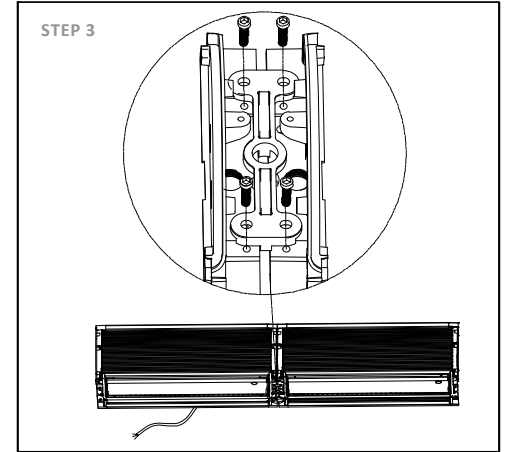
Surface mount A - Continuous Run



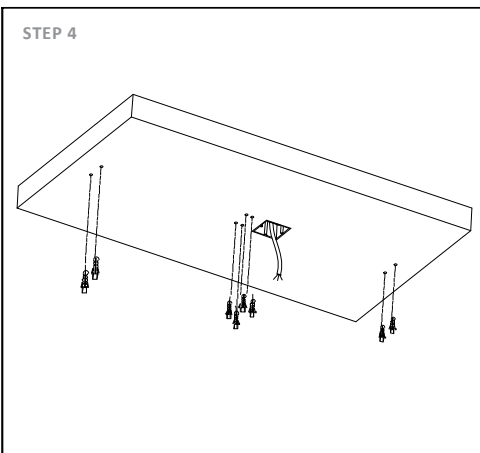
Follow the first two steps of single surface mount. Select desired lumen and color temperature



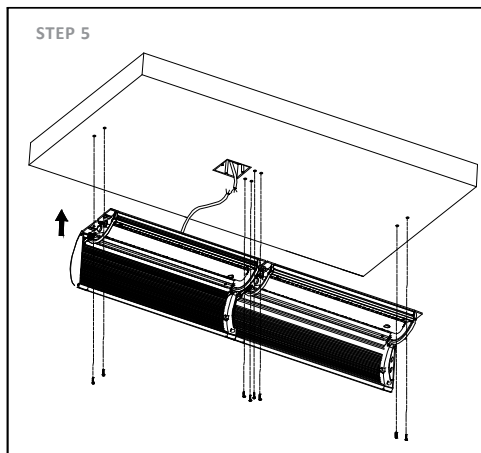
Remove one side end cap of the fixture and lead the power cable from backside through the side and connect to the next fixture



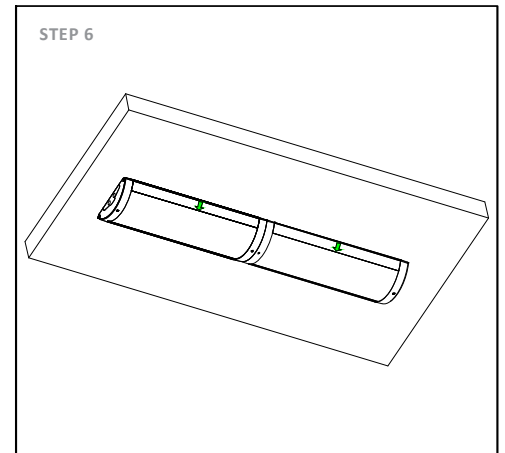
Using the provided joiner to match and fix two fixtures



Position and drill 8 screw holes, insert the plastic anchors



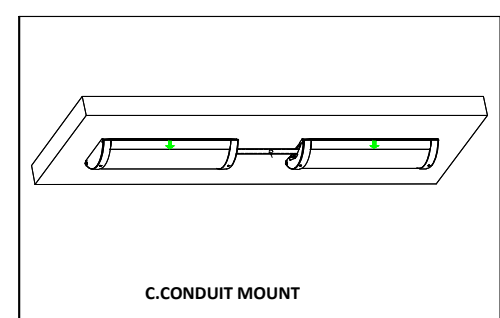
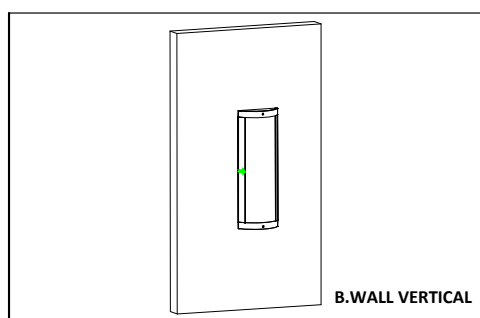
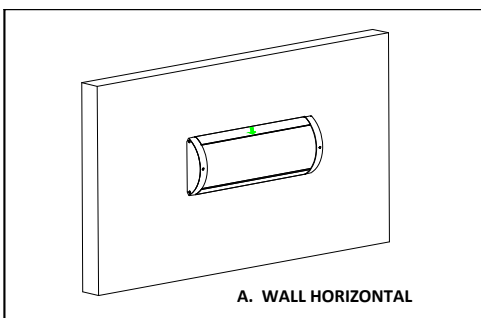
Connect the fixture power cord to lead as per wiring diagram in the page 3



Continuous run surface mount is completed

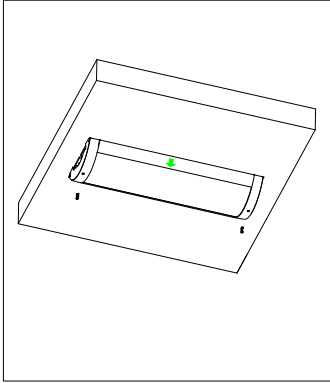
SURFACE MOUNT INSTALLATION (Caution: Before beginning installation turn off the circuit breaker and light switch)

OTHER SURFACE OPTIONS - WALL MOUNT HORIZONTAL / VERTICAL / CONDUIT MOUNT

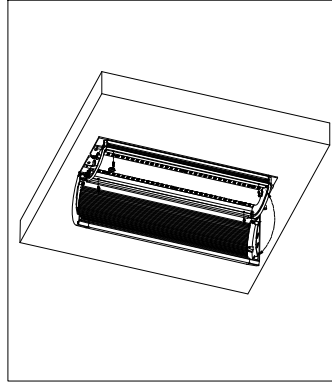


INSTALLATION MANUAL

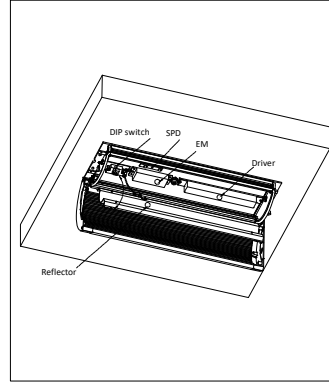
MAINTENANCE-REPLACE DRIVER (Caution: Before beginning replacement turn off the circuit breaker and light switch)



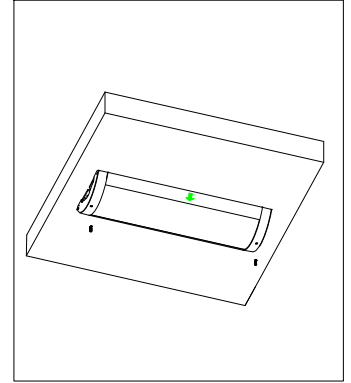
Remove the two screws



Open the fixture and then the reflector



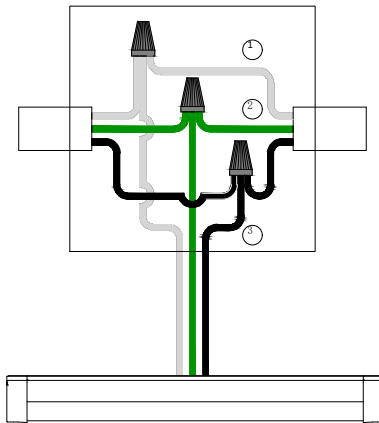
Remove the defective driver and replace with new one



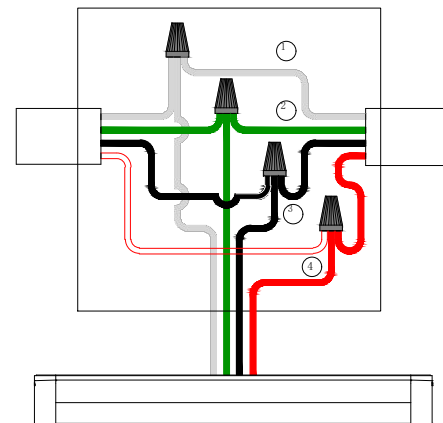
Fasten the fixture

WIRING DIAGRAM (Caution: Before beginning installation turn off the circuit breaker and light switch)

NOTE: Standard 3 wires (regular) or 4 wires (W/ Emergency battery) connection. For 0-10V dimming need to change to 5-wire (regular) or 6-wire 18 gauge cable



- ① Black connects to L with switch
- ② White connects to N
- ③ Green to ground \oplus



- ① Black connects to L with switch
- ② White connects to N
- ③ Green to ground \oplus
- ④ Red connects to 24/7 HOURS L

PROBLEM	POSSIBLE CAUSE	SOLUTION	CARE & MAINTENANCE
Light will not come on	A. Light switch is turned off. B. Fuse is blown or circuit breaker is turned off. C. Incorrect circuit wiring	A. Turn light switch on B. Replace fuse or turn circuit breaker on C. Verify that fixture is wired properly	CAUTION: Before attempting to clean the fixture, disconnect the power to the fixture by turning the breaker off or removing the fuse from the fuse box. This LED light fixture is made from quality materials that will last many years with minimum care and maintenance. You may want to clean the fixture with a soft cloth periodically. To maintain the best appearance of the fixture, do not use cleaners with chemicals, solvents or harsh abrasives. Do not use liquid cleaner on the LEDs, LED driver, or wiring inside the light fixture.