

INSTALLATION MANUAL

PRODUCT PARAMETER

INPUT VOLTAGE	120 - 277V
DISTRIBUTION	T3 / T5 / D3 / D5
WORKING TEMP.	-40°F~122°F/-4°F~122°F (With EM)



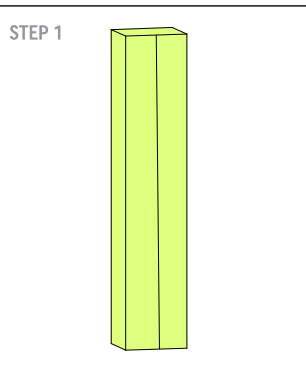
SAFETY INFORMATION

BE SURE THE POWER IS OFF! RISK OF ELECTRICAL SHOCK: Always use the switch to power off. Do not perform any operations while this unit is powered on. The electrical system you want to connect the device to must be grounded. Read the instructions before using or powering this device. The safety instructions must remain with the unit in case of transfer. Any damage to the device linked to an inappropriate use is excluded from support by the warranty. Before connecting, make sure that the current and voltage are compatible with this device. We highly recommend that all installations are made by **QUALIFIED ELECTRICIAN**. We are **NOT** responsible by any means for the use or misuse of the following information. We are **NOT** responsible in whole or part for any harm or damage that may or may not be caused. We reserve the right to revise the components of any product, due to part availability or change ETL, CUL, UL standards without assuming any obligation or liability to modify any products previously manufactured and without notice. These instructions do not cover all details of variations in equipment, nor do they provide every possible contingency to be met. Turn off / unplug power when installing or service device.

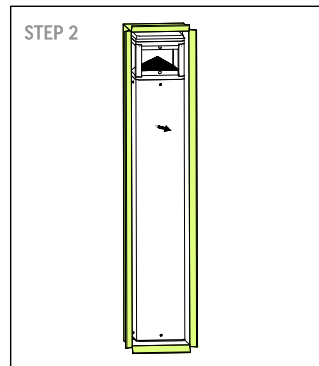
PRE - INSTALLATION

- Read carefully before installing fixture. Retain for future reference.
- Failure to follow instructions may result in serious injury or death
- Upon receipt the fixture, thoroughly inspect for any freight damage which should be brought to the attention of the delivery carrier. Compare the catalog description listed on the package slip with the fixture label on the housing to assure you have received material.
- This fixture must be wired in accordance with the international electrical code and applicable local codes and ordinances. Proper grounding is required to insure personal safety. Carefully observe the correct grounding procedure under installation section.

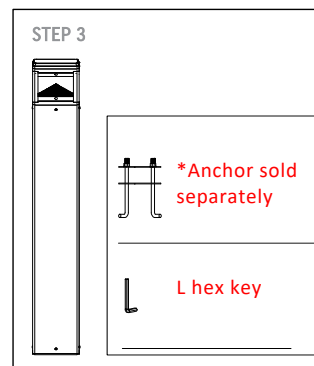
ANCHOR INSTALLATION (Caution: Before beginning installation turn off the circuit breaker and light switch)



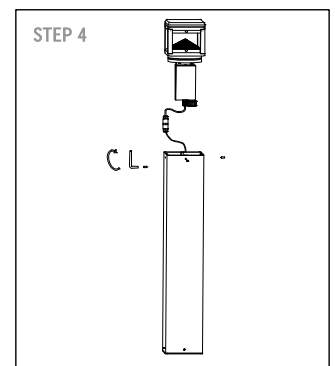
Inspect the packaging.



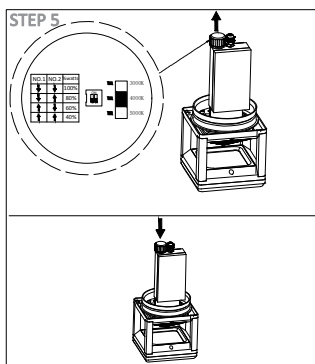
Open the package & check included accessories.



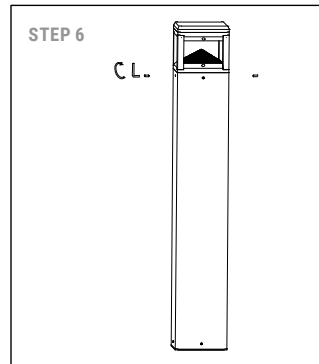
Carefully Take out fixture and accessory "L" hex key.



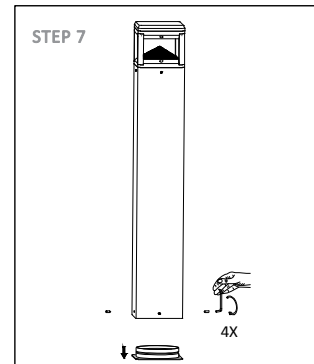
Unfasten the grub screws, remove the bollard head.



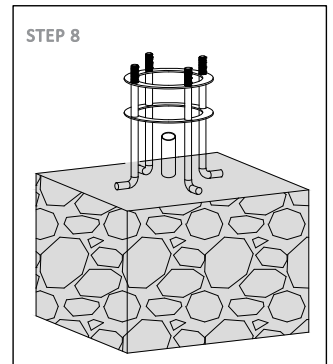
Remove the plug in order to set the desired lumen and CCT (Default: high output / 4000K).



Carefully slide the head back to the housing and fasten with screws.



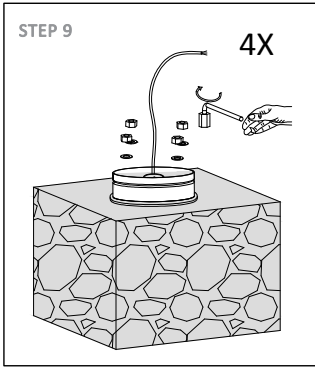
Unfasten the grub screws of housing bottom and remove the bollard base.



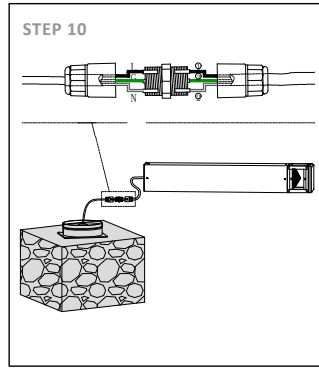
Building the anchor into concrete foundation using the removed base as template. And run conduit up to the anchor center.

INSTALLATION MANUAL

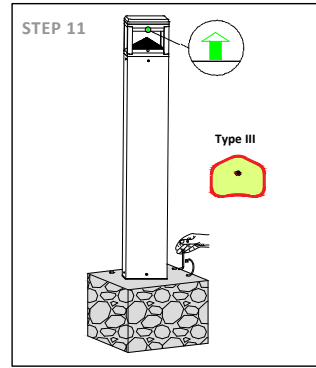
ANCHOR INSTALLATION (Caution: Before beginning installation turn off the circuit breaker and light switch)



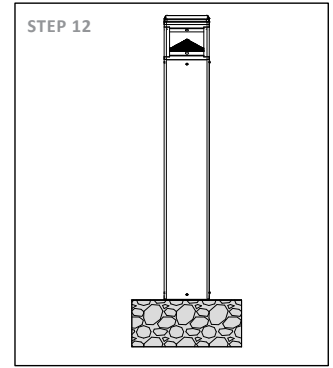
Level the base and fasten with provided washers and nuts



Connect the incoming power leads to the fixture power cords. Check the wiring diagram on page 3.

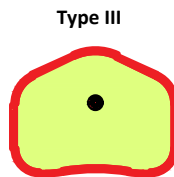
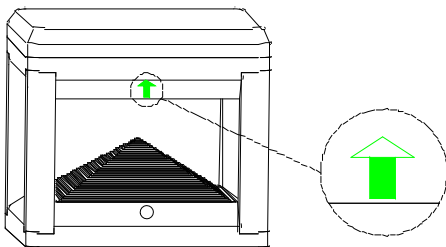
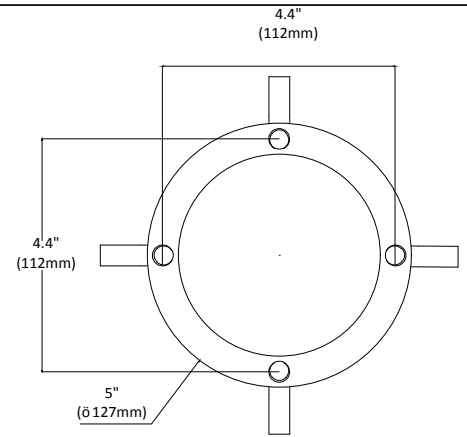
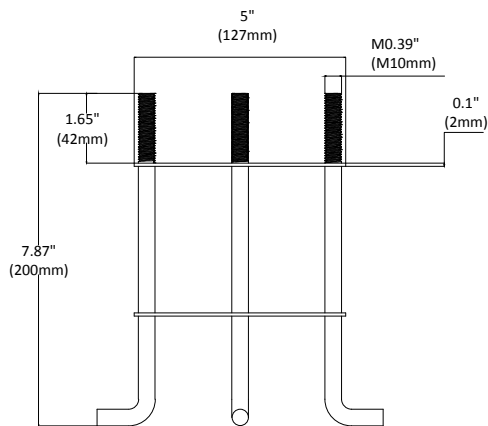
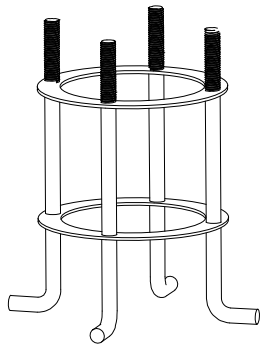


Fasten the housing to the base. Orients correctly for TYPE III fixtures as per arrow mark points



Secure all fasteners and remove the orient arrow mark

ANCHOR DIMENSION



NOTES:
For T3 and D3 light distribution mount, Please make sure the arrow mark point to the desired illumination area.

INSTALLATION MANUAL

GFCI (Caution: Before beginning installation turn off the circuit breaker and light switch)

Remove the plug, open the GFCI socket.

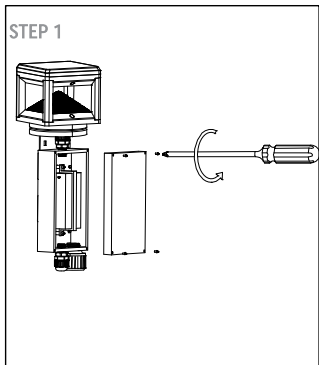
1.LED Status Indicator: The integrated LED provides clear status updates:
Red Light (Steady): Indicates that the GFCI socket has been correctly installed and is receiving power.
Green Light (Steady): Illuminates after the "Reset" button is pressed, confirming the socket is working properly and providing power.
Red Light (Flashing): Signals the end of the GFCI socket's operational life, reminding the user to replace the unit immediately.

2.Integrated USB Charging: Features a built-in Type A and Type C interface capable of delivering 5V/4.2A power.
Safety Interlock: In the event of a GFCI trip (power interruption), the Type A or Type C power supply is automatically cut off.
USB Ground Fault Protection: The USB port is equipped with its own grounding fault current trip protection, safeguarding connected 5V devices and preventing the risk of electric shock.

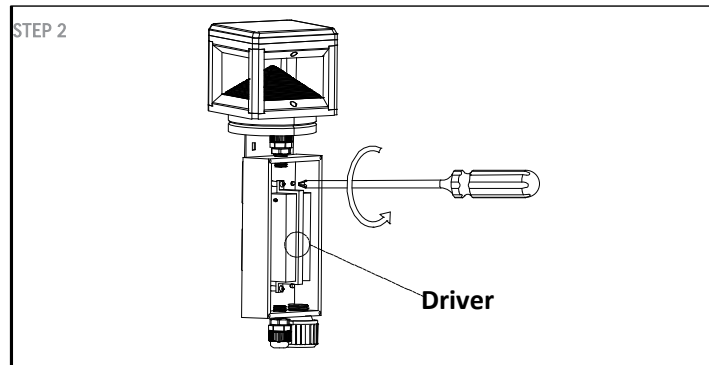
3.Tamper-Resistant (TR) Safety Shutter: Equipped with a protective door mechanism that prevents foreign objects from being inserted into the power contacts, helping to protect children from the risk of electric shock.

4.Continuous Ground Fault Protection: Provides constant monitoring for actual ground faults. The device is designed to trip and cut power immediately upon detecting a fault, even during its internal self-checking cycles.

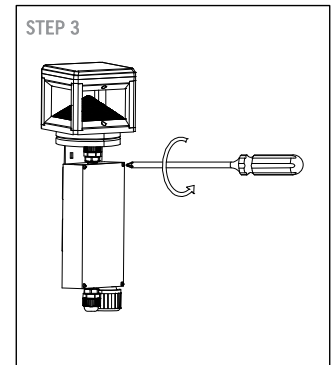
MAINTENANCE-REPLACE DRIVER(Caution: Before beginning replacement turn off the circuit breaker and light switch)



Unscrew the four screws of fixture



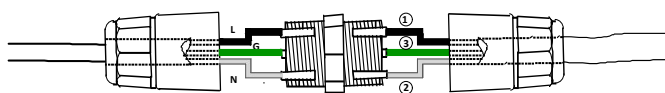
Unscrew the fixed metal strip and replace with new driver following the same wiring



Fasten the four screws

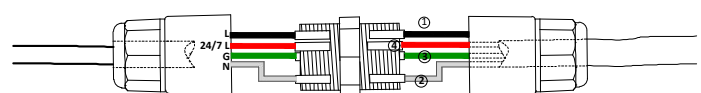
WIRING DIAGRAM (Caution: Before beginning installation turn off the circuit breaker and light switch)

NOTE: Standard 3 wires or 4 wires (w/factory installed emergency driver) connection.



Standard 3-wire Wiring

- No. ① connects to Black LINE
- No. ② connects to White NEUTRAL
- No. ③ connects to Green GROUND



With EM 4-wire Wiring

- No. ① connects to Black LINE
- No. ② connects to White NEUTRAL
- No. ③ connects to Green GROUND
- No. ④ connects to RED 24/7 LINE