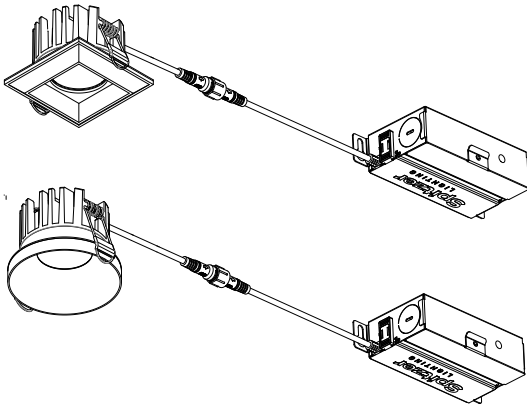


INSTALLATION MANUAL

PRODUCT PARAMETER	
INPUT VOLTAGE	120 - 277V
LIFETIME	L70>56,000HRS, 5 YEAR WARRANTY
WORKING TEMP	-5°F ~ 104°F



SAFETY INFORMATION

BE SURE THE POWER IS OFF! RISK OF ELECTRICAL SHOCK: Always use the switch to power off. Do not perform any operations while this unit is powered on. The electrical system you want to connect the device to must be grounded. Read the instructions before using or powering this device. The safety instructions must remain with the unit in case of transfer. Any damage to the device linked to an inappropriate use is excluded from support by the warranty. Before connecting, make sure that the current and voltage are compatible with this device. We highly recommend that all installations are made by QUALIFIED ELECTRICIAN. We are NOT responsible by any means for the use or misuse of the following information. We are NOT responsible in whole or part for any harm or damage that may or may not be caused. We reserve the right to revise the components of any product, due to part availability or change ETL, CUL, UL standards without assuming any obligation or liability to modify any products previously manufactured and without notice. These instructions do not cover all details of variations in equipment, nor do they provide every possible contingency to be met. Turn off / unplug power when installing or service device.

PRE - INSTALLATION

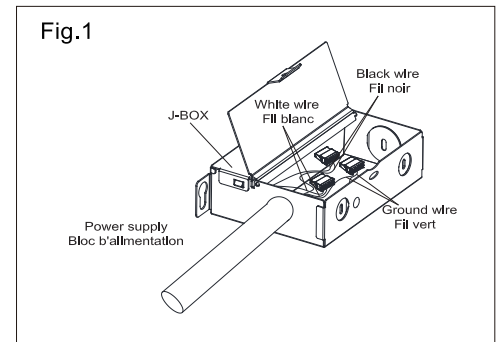
- Carefully remove the fixture from the carton.
- Before beginning assembly, installation, or operation of product, make sure all parts are present. Compare parts with package contents list and diagram on previous page. If any part is missing or damaged, do not attempt to assemble, install or operate the product. Contact customer service for replacement parts.
- Tools required for assembly (Not Included): screwdriver, phillips screwdriver, pliers, electrical tape, wire cutters, safety glasses, ladder, wire stripper.
- TURN OFF the power at the electrical panel before starting installation.
- Locate a suitable location to install the fixture and open in accordance with the cut-hole dimensions (refer to hole cut table for appropriate size).
- Select desired color temperature from 2700K, 3000K, 3500K, 4000K, and 5000K by sliding the switch on the J-box. (Figure 5)
- Run electrical wire from the switch (power supply) through the mounting hole. Use NMD90 or BX cable.

INSTALLATION (Caution: Before beginning installation turn off the circuit breaker and light switch)

PRE-INSTALLATION:

1. Turn power OFF from the electrical panel before starting installation.
2. Locate a suitable position to plate the fixture and open in accordance to the cut hole dimensions (refer to Hole cut table for appropriate size).
3. Select desired color temperature by sliding switch on Power box of unit. (Available CCT are 2200K/2700K/3000K/3500K/4000K)
Run electrical wire from the switch (power supply) through the mounting hole, use NMD90 or BX cable

Fig.1



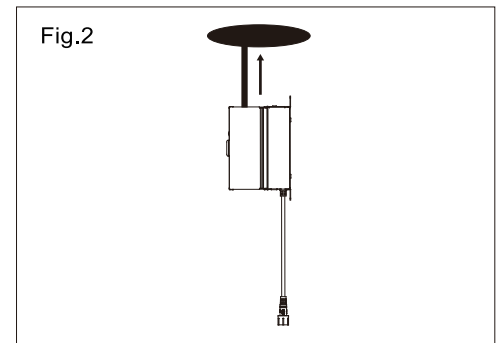
DRIVER WIRING:

1. Open the hardwire box swing cover and remove the appropriate knockout(s).
2. Insert the electrical supply cable through the knockout and secure with a cable connector (sold separately)
3. Connect green ground wire of cable, white wire of cable to white, black wire of cable to black, with provided wire nuts. (Fig .1)
4. Place all wiring and connections back into box and close the cover.
5. Insert hardwire box through the mounting hole. (Fig. 2)

New Construction applications: Hardwire box shall be firmly secured to studs, joists, or similar fixed structural units.

Remodel applications: DO not require the hardwire box to be firmly secured after the mounting plates, joists, or structural units have been concealed.

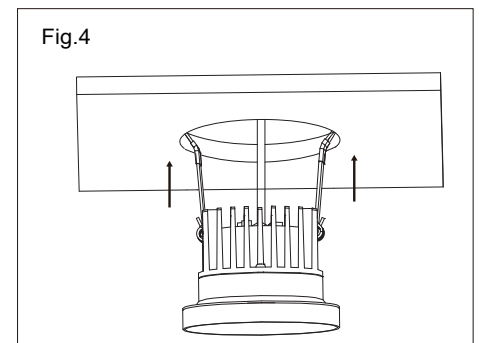
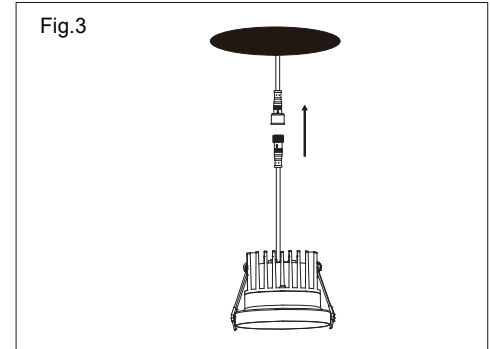
Fig.2



INSTALLATION MANUAL

FIXTURE INSTALLATION:

1. Connect the fixture clips to the hardware box by inserting and twisting the quick disconnect assembly male/female. (Fig. 3)
2. Push spring loaded clips on the fixture upwards and insert fixture through the mounting hole vertically, clips first. Release the clips and fixture will be pulled flush to the ceiling. (Fig 4)
3. Once assembly is complete, turn on power to confirm fixture is working properly.



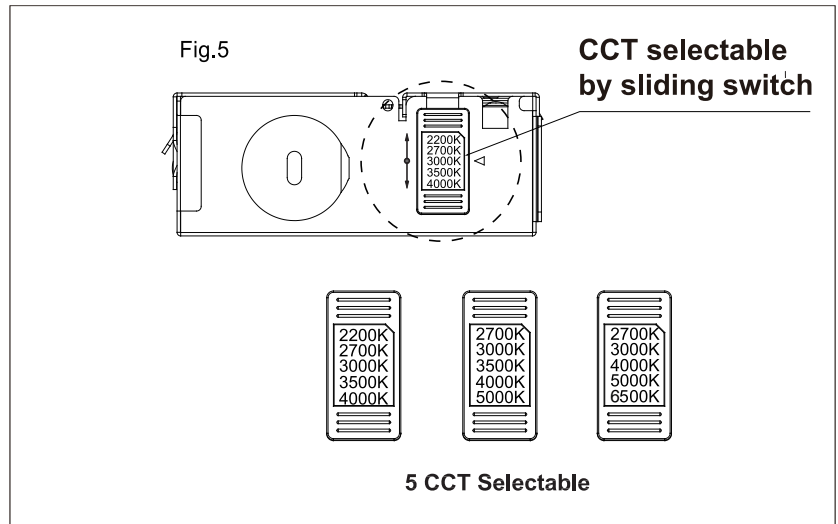
Color Temperature selectable(exclude the CW version):

1. Slide the switch on the driver box to the certain requested CCT (Fig. 5)

HOLE CUT SIZE :

2" Round $\varnothing 2-7/8"$ (73mm)

2" Square $2-5/8" \times 2-5/8"$ (66*66mm)



CARE AND MAINTENANCE

PROBLEM	POSSIBLE CAUSE	SOLUTION	CAUTION: Before attempting to clean the fixture, disconnect the power to the fixture by turning the breaker off or removing the fuse from the fuse box. This LED light fixture is made from quality materials that will last many years with minimum care and maintenance. You may want to clean the fixture with a soft cloth periodically. To maintain the best appearance of the fixture, do not use cleaners with chemicals, solvents or harsh abrasives. Do not use liquid cleaner on the LEDs, LED driver, or wiring inside the light fixture.
Light will not come on	A. Light switch is turned off. B. Fuse is blown or circuit breaker is turned off. C. Incorrect circuit wiring	A. Turn light switch on B. Replace fuse or turn circuit breaker on C. Verify that fixture is wired properly	